

5

4

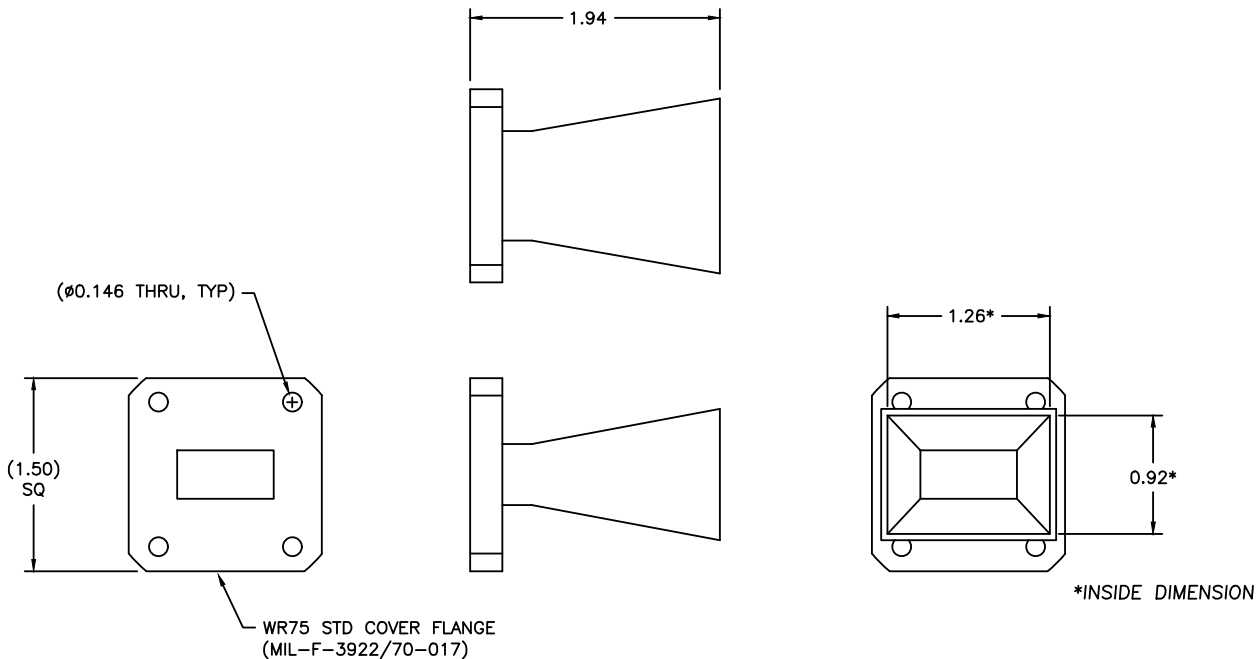
3

2

1

REVISIONS				
ZONE	LTR	DESCRIPTION	DATE	APPROVED
	D	N/M FORMAT UPDATE	04/26/22	

13967



***NOTE:** THESE DIMENSIONS ARE BASED ON THE FLANGE TYPE SHOWN ABOVE, AND MAY CHANGE WHEN OTHER FLANGE TYPES ARE SELECTED.

PRINT NOT ON AUTOMATIC DISTRIBUTION VERIFY REVISION PRIOR TO USE

Narda-MITEQ PROPRIETARY THIS DOCUMENT CONTAINS INFORMATION WHICH IS PROPRIETARY TO NARDA-MITEQ. THE CONTENTS SHALL NOT BE DISCLOSED, COPIED, DISTRIBUTED, OR USED UNLESS AUTHORIZED BY AN OFFICER OF NARDA-MITEQ.			UNLESS OTHERWISE SPECIFIED DIMENSIONS ARE IN INCHES TOLERANCES ON DECIMALS ANGLES XX±.03 XXX±.005 ±0°30'	13967	 435 MORELAND RD HAUPPAUGE, NY 11788
			PROJECTION	DRN BY: NAME B. FRESHOUR DATE 04/26/22 DRAFT DESIGN	
THESE ITEM(S)/TECHNOLOGY CONTAIN INFORMATION SUBJECT TO U.S. GOVERNMENT EXPORT CONTROL IN ACCORDANCE WITH THE EXPORT ADMINISTRATION REGULATIONS (EAR), 15 CFR PARTS 730-744. EXPORT OF THIS DATA TO ANY FOREIGN COUNTRY OR DISCLOSURE OF THIS DATA TO ANY NON-US PERSON MAY BE A VIOLATION OF FEDERAL LAW.			MATERIAL AL ALY	PROJ ENGR MFG ENG Q.A.	SIZE B CODE IDENT. NO. 94S46 REV. D 227398
			FINISH CHEM FILM	AUTOCAD FILE FORMAT	SCALE REF 75-440-6 SHEET 1 OF 1
		NEXT ASSY 75-440-6 USED ON	APPLICATION		

5

4

3

2

1

13967

AUTOCAD 8-2021