

5

4

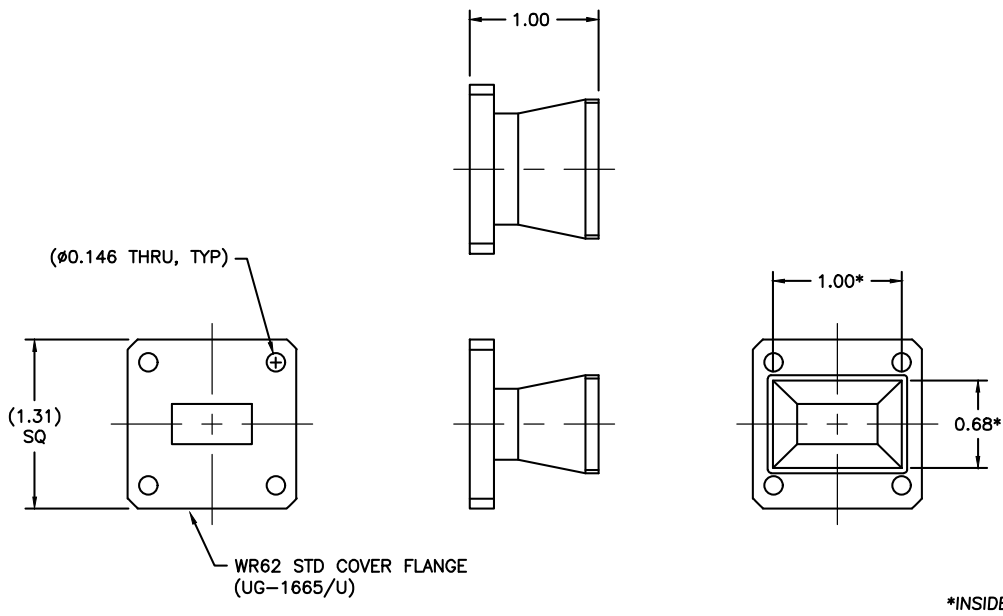
3

2

1

13964

REVISIONS				
ZONE	LTR	DESCRIPTION	DATE	APPROVED
	D	N/M FORMAT UPDATE	04/26/22	



**\*NOTE:** THESE DIMENSIONS ARE BASED ON THE FLANGE TYPE SHOWN ABOVE, AND MAY CHANGE WHEN OTHER FLANGE TYPES ARE SELECTED.

PRINT NOT ON AUTOMATIC DISTRIBUTION VERIFY REVISION PRIOR TO USE

**Narda-MITEQ PROPRIETARY**  
THIS DOCUMENT CONTAINS INFORMATION WHICH IS PROPRIETARY TO Narda-MITEQ. THE CONTENTS SHALL NOT BE DISCLOSED, COPIED, DISTRIBUTED, OR USED UNLESS AUTHORIZED BY AN OFFICER OF Narda-MITEQ.

THESE ITEM(S)/TECHNOLOGY CONTAIN INFORMATION SUBJECT TO U.S. GOVERNMENT EXPORT CONTROL IN ACCORDANCE WITH THE EXPORT ADMINISTRATION REGULATIONS (EAR), 15 CFR PARTS 730-744. EXPORT OF THIS DATA TO ANY FOREIGN COUNTRY OR DISCLOSURE OF THIS DATA TO ANY NON-US PERSON MAY BE A VIOLATION OF FEDERAL LAW.

UNLESS OTHERWISE SPECIFIED DIMENSIONS ARE IN INCHES	
TOLERANCES ON	
DECIMALS	ANGLES
.XX ± .03	XXX ± .005
	± 0°30'
PROJECTION	
MATERIAL	AL ALY
FINISH	CHEM FILM
62-441-6	
NEXT ASSY	USED ON
APPLICATION	

13964		
DRN BY	NAME	DATE
	B. FRESHOUR	04/26/22
DRAFT DESIGN		
APPROVED BY		
PROJ ENGR		
MFG ENG		
Q.A.		
AUTOCAD FILE FORMAT		

**narda@MITEQ**  
435 MORELAND RD HAUPPAUGE, NY 11788

**OUTLINE,  
WR62 HORN, 10dB GAIN**

SIZE	CODE IDENT. NO.	REV.
B	94S46	D
SCALE	REF	SHEET 1 OF 1
	62-441-6	1

5

4

3

2

1

AUTOCAD 3-2023