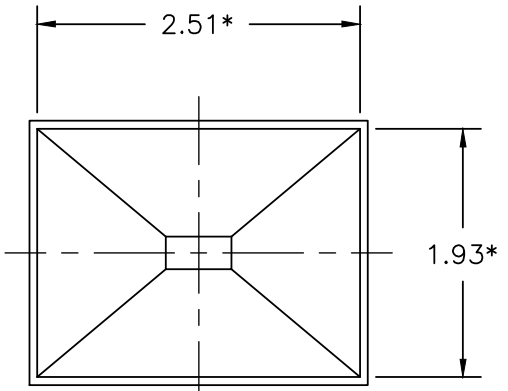
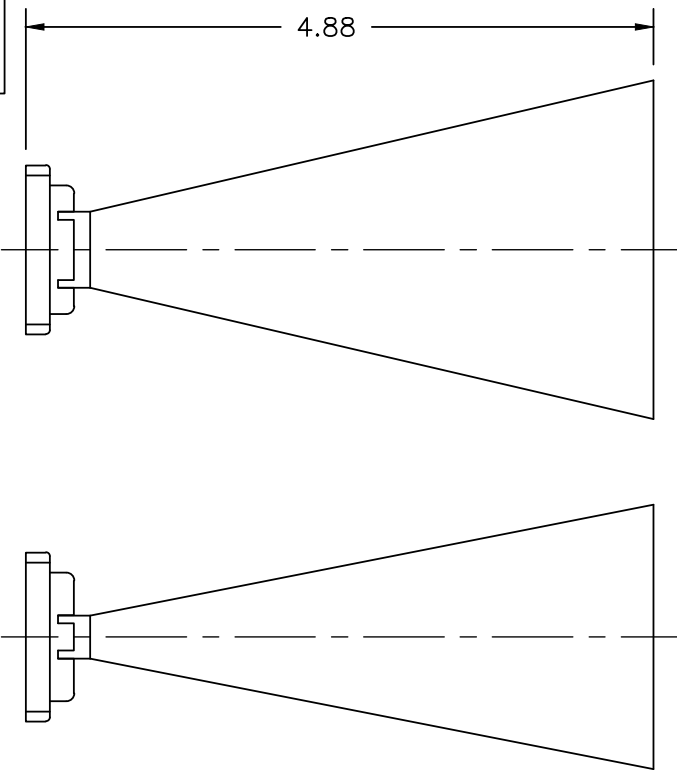


5 4 3 2 1

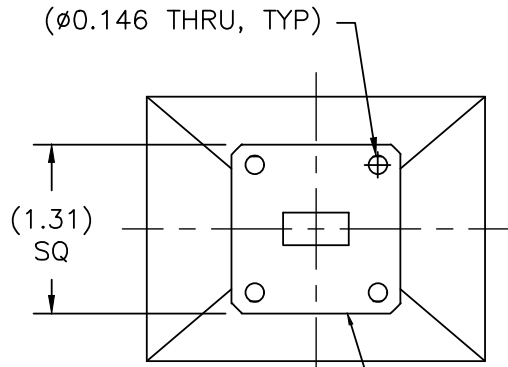
REVISIONS				
ZONE	LTR	DESCRIPTION	DATE	APPROVED
	E	N/M FORMAT UPDATE	04/26/22	

***NOTE:** THESE DIMENSIONS ARE BASED ON THE FLANGE TYPE SHOWN ABOVE, AND MAY CHANGE WHEN OTHER FLANGE TYPES ARE SELECTED.

13963



*INSIDE DIMENSION



WR51 STD COVER FLANGE
(MIL-F-3922/70-024)

PRINT NOT ON AUTOMATIC DISTRIBUTION VERIFY REVISION PRIOR TO USE

<p>Narda-MITEQ PROPRIETARY THIS DOCUMENT CONTAINS INFORMATION WHICH IS PROPRIETARY TO Narda-MITEQ. THE CONTENTS SHALL NOT BE DISCLOSED, COPIED, DISTRIBUTED, OR USED UNLESS AUTHORIZED BY AN OFFICER OF Narda-MITEQ.</p>			UNLESS OTHERWISE SPECIFIED DIMENSIONS ARE IN INCHES TOLERANCES ON DECIMALS ANGLES XX±.03 XXX±.005 ±0°30'	13963	 435 MORELAND RD HAUPPAUGE, NY 11788						
			PROJECTION	<table border="1"> <tr> <th>DRN BY</th> <th>NAME</th> <th>DATE</th> </tr> <tr> <td></td> <td>B. FRESHOUR</td> <td>04/26/22</td> </tr> </table>		DRN BY	NAME	DATE		B. FRESHOUR	04/26/22
DRN BY	NAME	DATE									
	B. FRESHOUR	04/26/22									
<p>THESE ITEM(S)/TECHNOLOGY CONTAIN INFORMATION SUBJECT TO U.S. GOVERNMENT EXPORT CONTROL IN ACCORDANCE WITH THE EXPORT ADMINISTRATION REGULATIONS (EAR), 15 CFR PARTS 730-744. EXPORT OF THIS DATA TO ANY FOREIGN COUNTRY OR DISCLOSURE OF THIS DATA TO ANY NON-US PERSON MAY BE A VIOLATION OF FEDERAL LAW.</p>			MATERIAL AL ALY	APPROVED BY	<p>OUTLINE, WR51 HORN, 20 dB GAIN</p>						
			FINISH CHEM FILM	<table border="1"> <tr> <th>PROJ ENGR</th> <th>MFG ENG</th> <th>Q.A.</th> </tr> <tr> <td></td> <td></td> <td></td> </tr> </table>		PROJ ENGR	MFG ENG	Q.A.			
PROJ ENGR	MFG ENG	Q.A.									
					<table border="1"> <tr> <th>SIZE</th> <th>CODE IDENT. NO.</th> <th>REV.</th> </tr> <tr> <td>B</td> <td>94S46</td> <td>E</td> </tr> </table>	SIZE	CODE IDENT. NO.	REV.	B	94S46	E
SIZE	CODE IDENT. NO.	REV.									
B	94S46	E									
					<table border="1"> <tr> <th>SCALE</th> <th>REF</th> <th>SHEET</th> </tr> <tr> <td></td> <td>51-442-6</td> <td>1 OF 1</td> </tr> </table>	SCALE	REF	SHEET		51-442-6	1 OF 1
SCALE	REF	SHEET									
	51-442-6	1 OF 1									

5 4 3 2 1

13963

AUTOCAD 8-2022