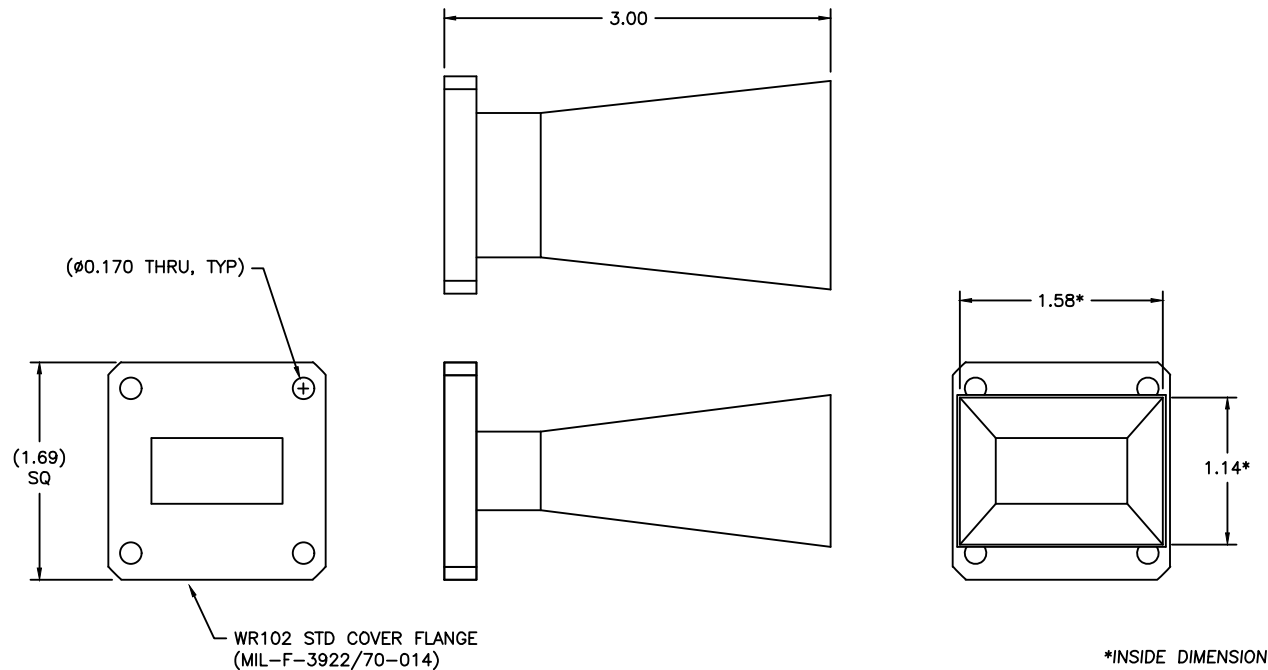


5 4 3 2 1

REV	AUTH	DATE	INITIAL RELEASE	REVISIONS				
A	DM	06/26/12	INITIAL RELEASE	ZONE	LTR	DESCRIPTION	DATE	APPROVED
B	LM	7/11/14	CHANGE TOLERANCE OF 2 PLACE DECIMAL FROM: +/--.01 TO +/--.03					
C	DM	05/03/17	UPDATED TITLE BLOCK		D	N-M RELEASE	04/26/22	

227381



***NOTE:** THESE DIMENSIONS ARE BASED ON THE FLANGE TYPE SHOWN ABOVE, AND MAY CHANGE WHEN OTHER FLANGE TYPES ARE SELECTED.

PRINT NOT ON AUTOMATIC DISTRIBUTION VERIFY REVISION PRIOR TO USE

<p>Narda-MITEQ PROPRIETARY THIS DOCUMENT CONTAINS INFORMATION WHICH IS PROPRIETARY TO NARDA-MITEQ. THE CONTENTS SHALL NOT BE DISCLOSED, COPIED, DISTRIBUTED, OR USED UNLESS AUTHORIZED BY AN OFFICER OF NARDA-MITEQ.</p>			UNLESS OTHERWISE SPECIFIED DIMENSIONS ARE IN INCHES TOLERANCES ON DECIMALS ANGLES XX±.03 XXX±.005 ±0°30'	13974	<p>435 MORELAND RD HAUPPAUGE, NY 11788</p>												
	<p>THESE ITEM(S)/TECHNOLOGY CONTAIN INFORMATION SUBJECT TO U.S. GOVERNMENT EXPORT CONTROL IN ACCORDANCE WITH THE EXPORT ADMINISTRATION REGULATIONS (EAR), 15 CFR PARTS 730-744. EXPORT OF THIS DATA TO ANY FOREIGN COUNTRY OR DISCLOSURE OF THIS DATA TO ANY NON-US PERSON MAY BE A VIOLATION OF FEDERAL LAW.</p>			PROJECTION		<table border="1"> <tr> <td>DRN BY</td> <td>NAME</td> <td>DATE</td> </tr> <tr> <td>DRAFT DESIGN</td> <td>B. FRESHOUR</td> <td>04/26/22</td> </tr> </table>	DRN BY	NAME	DATE	DRAFT DESIGN	B. FRESHOUR	04/26/22	<p>OUTLINE, WR102 HORN, 15 dB GAIN</p>				
DRN BY	NAME	DATE															
DRAFT DESIGN	B. FRESHOUR	04/26/22															
			MATERIAL AL ALY TYPE 6061-T6	APPROVED BY													
			FINISH CHEM FILM	<table border="1"> <tr> <td>PROJ ENGR</td> <td></td> </tr> <tr> <td>MFG ENG</td> <td></td> </tr> <tr> <td>Q.A.</td> <td></td> </tr> </table>	PROJ ENGR		MFG ENG		Q.A.		<table border="1"> <tr> <td>SIZE</td> <td>CODE IDENT. NO.</td> <td>REV.</td> </tr> <tr> <td>B</td> <td>94S46</td> <td>D</td> </tr> </table>	SIZE	CODE IDENT. NO.	REV.	B	94S46	D
PROJ ENGR																	
MFG ENG																	
Q.A.																	
SIZE	CODE IDENT. NO.	REV.															
B	94S46	D															
	102-441-6			AUTOCAD FILE FORMAT	<table border="1"> <tr> <td>SCALE</td> <td>REF</td> <td>102-441-6</td> <td>SHEET</td> <td>1 OF</td> <td>1</td> </tr> </table>	SCALE	REF	102-441-6	SHEET	1 OF	1						
SCALE	REF	102-441-6	SHEET	1 OF	1												
	NEXT ASSY	USED ON															
	APPLICATION																

5 4 3 2 1

AUTOCAD 8-2022