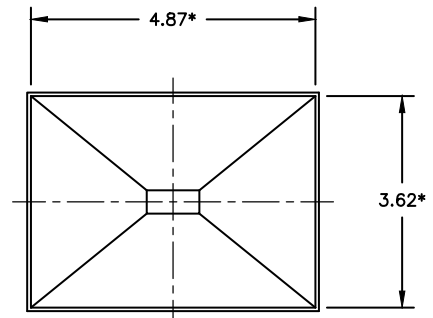
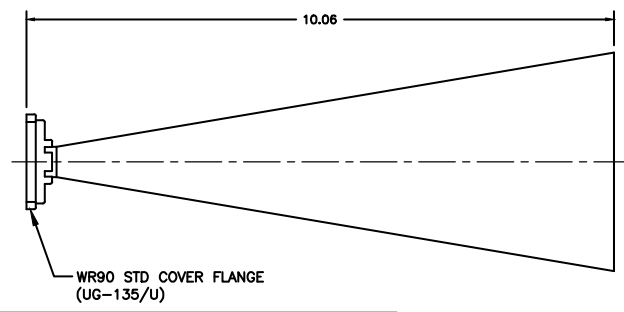
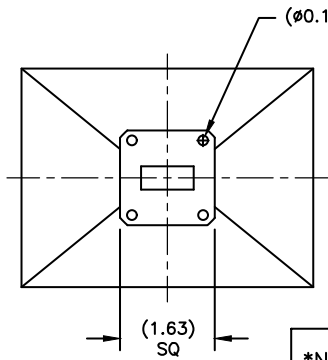
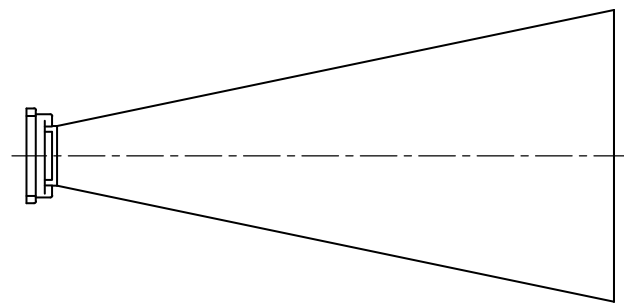


13972

REV	AUTH	DATE	DESCRIPTION
A	D.M.	07/30/12	INITIAL RELEASE
B	L.M.	07/11/14	CHANGE TOLERANCE OF 2 PLACE DECIMAL FROM: +/--.01 TO: +/--.03
C	M.R.	12/06/16	UPDATED FLANGE ILLUSTRATION, NO DIMENSIONAL CHANGES. FORMAT UPDATE
D	DM	05/04/17	UPDATED TITLE BLOCK

REVISIONS				
ZONE	LTR	DESCRIPTION	DATE	APPROVED
	E	N-M RELEASE	04/26/22	



*INSIDE DIMENSION

***NOTE:** THESE DIMENSIONS ARE BASED ON THE FLANGE TYPE SHOWN ABOVE, AND MAY CHANGE WHEN OTHER FLANGE TYPES ARE SELECTED.

PRINT NOT ON AUTOMATIC DISTRIBUTION VERIFY REVISION PRIOR TO USE

<p>Narda-MITEQ PROPRIETARY THIS DOCUMENT CONTAINS INFORMATION WHICH IS PROPRIETARY TO NARDA-MITEQ. THE CONTENTS SHALL NOT BE DISCLOSED, COPIED, DISTRIBUTED, OR USED UNLESS AUTHORIZED BY AN OFFICER OF NARDA-MITEQ.</p> <p>THESE ITEM(S)/TECHNOLOGY CONTAIN INFORMATION SUBJECT TO U.S. GOVERNMENT EXPORT CONTROL IN ACCORDANCE WITH THE EXPORT ADMINISTRATION REGULATIONS (EAR), 15 CFR PARTS 730-744. EXPORT OF THIS DATA TO ANY FOREIGN COUNTRY OR DISCLOSURE OF THIS DATA TO ANY NON-US PERSON MAY BE A VIOLATION OF FEDERAL LAW.</p>			<p>UNLESS OTHERWISE SPECIFIED DIMENSIONS ARE IN INCHES TOLERANCES ON DECIMALS ANGLES XX±.03 XXX±.005 ±0°30'</p> <p>PROJECTION </p> <p>MATERIAL AL ALY</p> <p>FINISH CHEM FILM</p>	13972	 435 MORELAND RD HAUPPAUGE, NY 11788										
				<table border="1"> <tr> <th>DRN BY</th> <th>NAME</th> <th>DATE</th> </tr> <tr> <td>B. FRESHOUR</td> <td></td> <td>04/26/22</td> </tr> </table>		DRN BY	NAME	DATE	B. FRESHOUR		04/26/22	<p>APPROVED BY</p>	<p>OUTLINE, WR90 HORN, 20 dB GAIN</p>		
	DRN BY	NAME		DATE											
	B. FRESHOUR			04/26/22											
				<table border="1"> <tr> <th>PROJ ENGR</th> <th>MFG ENG</th> <th>Q.A.</th> </tr> <tr> <td></td> <td></td> <td></td> </tr> </table>	PROJ ENGR	MFG ENG	Q.A.				<table border="1"> <tr> <th>SIZE</th> <th>CODE IDENT. NO.</th> <th>REV.</th> </tr> <tr> <td>B</td> <td>94S46</td> <td>E</td> </tr> </table>	SIZE	CODE IDENT. NO.	REV.	B
PROJ ENGR	MFG ENG	Q.A.													
SIZE	CODE IDENT. NO.	REV.													
B	94S46	E													
		<table border="1"> <tr> <th>SCALE</th> <th>REF</th> <th>SHEET</th> <th>1 OF</th> <th>1</th> </tr> </table>	SCALE	REF	SHEET	1 OF	1								
SCALE	REF	SHEET	1 OF	1											

AUTOCAD 3-2023