

5

4

3

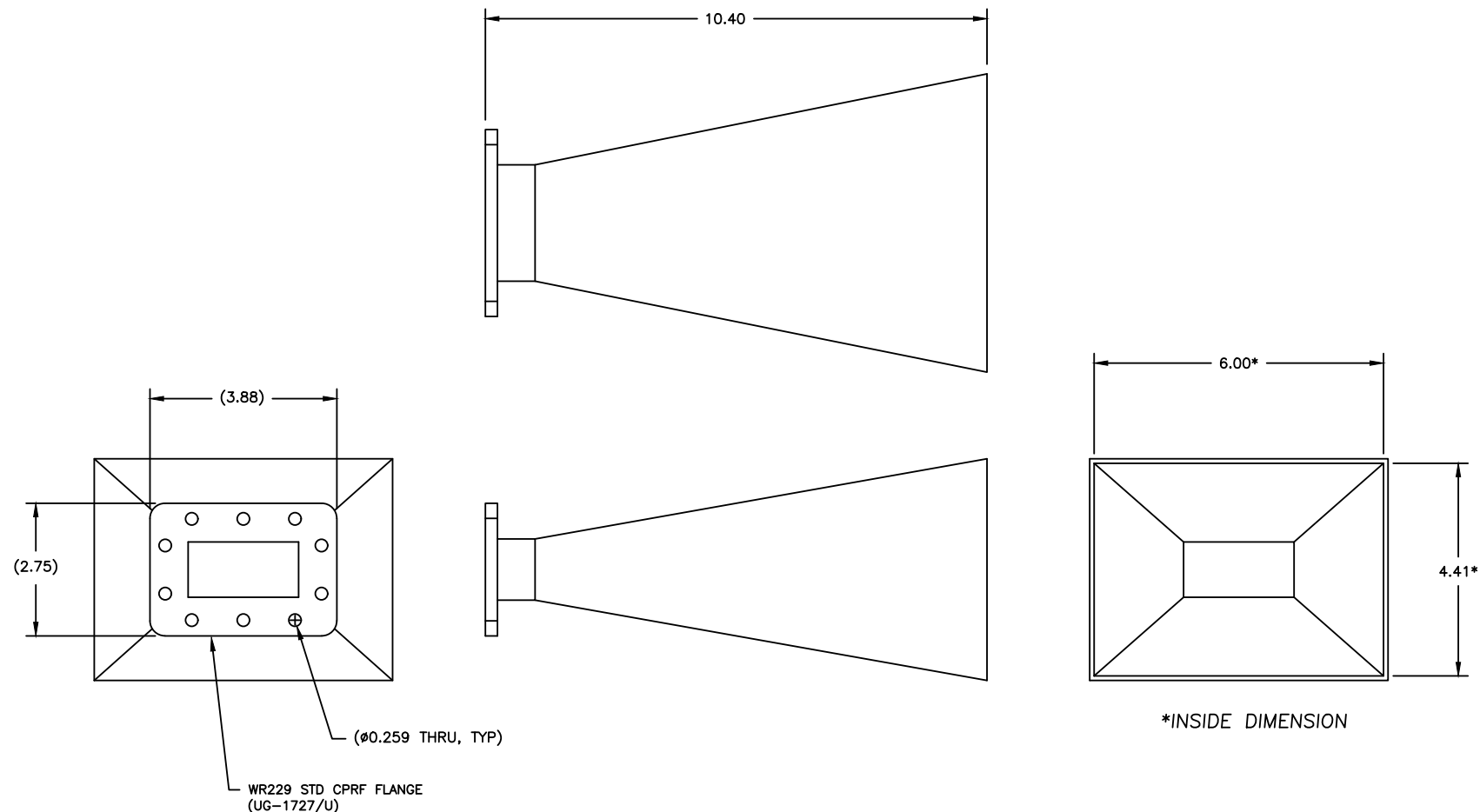
2

1

REV	AUTH	DATE	INITIAL RELEASE
A	DM	07/11/12	INITIAL RELEASE
B	LM	7/10/14	CHANGE TOLERANCE OF 2 PLACE DECIMAL FROM +/--.01 TO +/--.04
C	DM	05/01/17	UPDATED LOGO : NO DIMENSION CHANGES

REVISIONS			
ZONE	LTR	DESCRIPTION	DATE
	C	N/MFORMAT UPDATE	05/06/22

226501



***NOTE:** THESE DIMENSIONS ARE BASED ON THE FLANGE TYPE SHOWN ABOVE, AND MAY CHANGE WHEN OTHER FLANGE TYPES ARE SELECTED.

PRINT NOT ON AUTOMATIC DISTRIBUTION VERIFY REVISION PRIOR TO USE

Narda-MITEQ PROPRIETARY THIS DOCUMENT CONTAINS INFORMATION WHICH IS PROPRIETARY TO Narda-MITEQ. THE CONTENTS SHALL NOT BE DISCLOSED, COPIED, DISTRIBUTED, OR USED UNLESS AUTHORIZED BY AN OFFICER OF Narda-MITEQ.	UNLESS OTHERWISE SPECIFIED DIMENSIONS ARE IN INCHES TOLERANCES ON DECIMALS ANGLES .XX±.01 .XXX±.005 ±0°30'		13989 DRN BY NAME DATE Michael Rotunda 03/16/21		 435 MORELAND RD HAUPPAUGE, NY 11788 OUTLINE, WR229 15dB GAIN HORN			
	PROJECTION		APPROVED BY					
THESE ITEM(S)/TECHNOLOGY CONTAIN INFORMATION SUBJECT TO U.S. GOVERNMENT EXPORT CONTROL IN ACCORDANCE WITH THE EXPORT ADMINISTRATION REGULATIONS (EAR), 15 CFR PARTS 730-744. EXPORT OF THIS DATA TO ANY FOREIGN COUNTRY OR DISCLOSURE OF THIS DATA TO ANY NON-US PERSON MAY BE A VIOLATION OF FEDERAL LAW.	MATERIAL ALUMINUM		PROJ ENGR MFG ENG Q.A.		SIZE CODE IDENT. NO.	226501	REF SHEET	1 OF 1
	FINISH CHEM FILM		AUTOCAD FILE FORMAT		B 94S46		C	
NEXT ASSY USED ON		APPLICATION		SCALE REF SHEET		229-441-2 1 OF 1		

5

4

3

2

1

FORM 10/2013

AUTOCAD 3-2022