

5

4

3

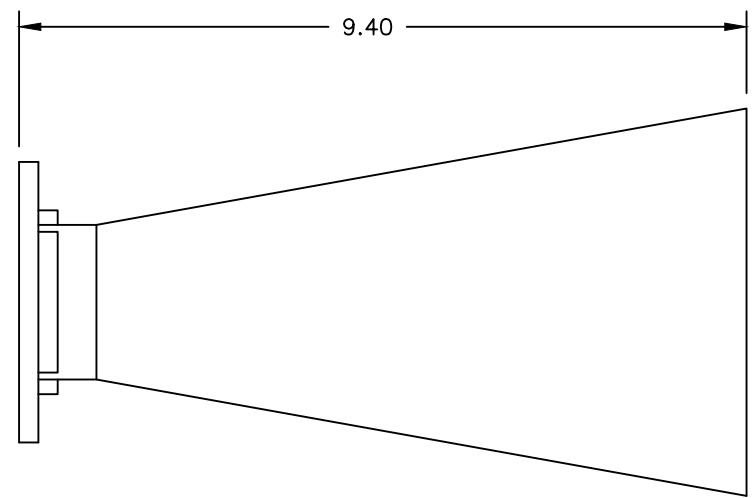
2

1

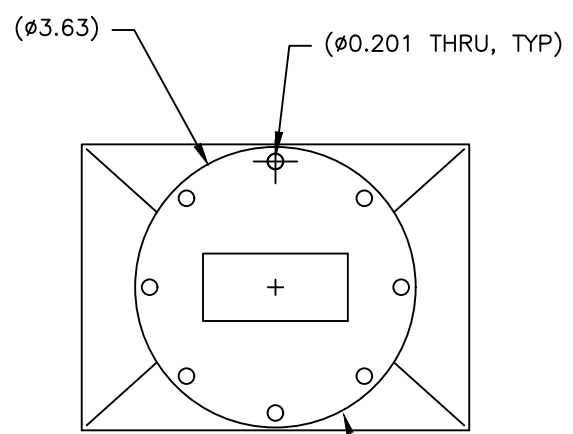
REV	AUTH	DATE	INITIAL RELEASE
A	DM	07/11/12	INITIAL RELEASE
B	LM	7/10/14	CHANGE TOLERANCE OF 2 PLACE DECIMAL FROM +/- .01 TO +/- .03
C	DM	05/01/17	UPDATED LOGO ; NO DIMENSION CHANGES

REVISIONS				
ZONE	LTR	DESCRIPTION	DATE	APPROVED
	C	N/M FORMAT UPDATE	03/16/21	

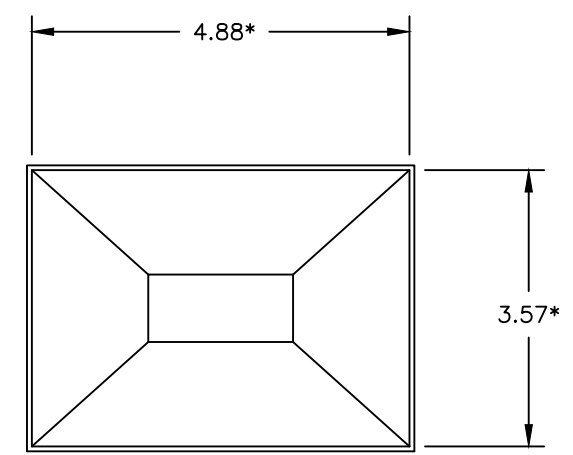
226498



***NOTE:** THESE DIMENSIONS ARE BASED ON THE FLANGE TYPE SHOWN ABOVE, AND MAY CHANGE WHEN OTHER FLANGE TYPES ARE SELECTED.



WR187 STD COVER FLANGE (UG-407/U)



*INSIDE DIMENSION

PRINT NOT ON AUTOMATIC DISTRIBUTION VERIFY REVISION PRIOR TO USE

<p>Narda-MITEQ PROPRIETARY THIS DOCUMENT CONTAINS INFORMATION WHICH IS PROPRIETARY TO Narda-MITEQ. THE CONTENTS SHALL NOT BE DISCLOSED, COPIED, DISTRIBUTED, OR USED UNLESS AUTHORIZED BY AN OFFICER OF Narda-MITEQ.</p> <p>THESE ITEM(S)/TECHNOLOGY CONTAIN INFORMATION SUBJECT TO U.S. GOVERNMENT EXPORT CONTROL IN ACCORDANCE WITH THE EXPORT ADMINISTRATION REGULATIONS (EAR), 15 CFR PARTS 730-744. EXPORT OF THIS DATA TO ANY FOREIGN COUNTRY OR DISCLOSURE OF THIS DATA TO ANY NON-US PERSON MAY BE A VIOLATION OF FEDERAL LAW.</p>			<p>UNLESS OTHERWISE SPECIFIED DIMENSIONS ARE IN INCHES</p> <p>TOLERANCES ON</p> <p>DECIMALS ANGLES</p> <p>.XX ± .03 .XXX ± .005 ± 0°30'</p>	<p>13986</p> <p>DRN BY NAME DATE</p> <p> Michael Rotunda 03/16/21</p>	<p>narda@MITEQ</p> <p>435 MORELAND RD HAUPPAUGE, NY 11788</p>		
			<p>PROJECTION </p> <p>MATERIAL AL ALY</p> <p>FINISH CHEM FILM</p>	<p>APPROVED BY</p> <p>PROJ ENGR</p> <p>MFG ENG</p> <p>Q.A.</p>	<p>OUTLINE, WR187 15dB GAIN HORN</p>		
	NEXT ASSY	USED ON			<p>SIZE CODE IDENT. NO.</p> <p>B 94S46</p>	<p>226498</p>	<p>REV.</p> <p>C</p>
	APPLICATION			AUTOCAD FILE FORMAT	SCALE	REF	SHEET 1 OF 1

5

4

3

2

1

Form 10/2013

AUTOCAD 3-2022