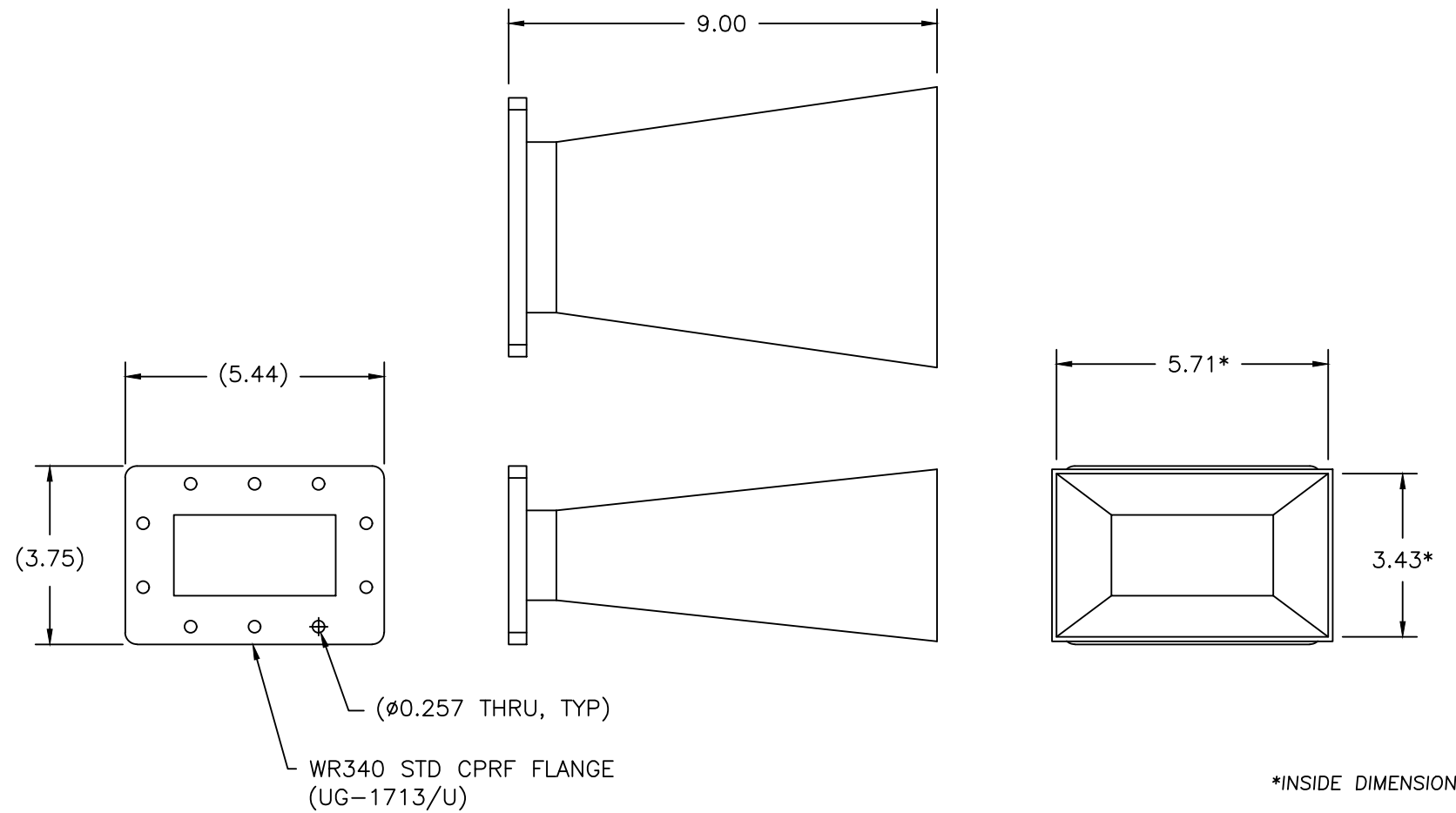


REV	AUTH	DATE	INITIAL RELEASE
A	DM	04/16/13	
B	LM	7/10/14	CHANGE TOLERANCE OF 2 PLACE DECIMAL FROM: +/- .01 TO: +/- .04
C	DM	05/03/17	UPDATED TITLE BLOCK

REVISIONS			
ZONE	LTR	DESCRIPTION	DATE
	C	N/M FORMAT UPDATE	01/20/21



*NOTE: THESE DIMENSIONS ARE BASED ON THE FLANGE TYPE SHOWN ABOVE, AND MAY CHANGE WHEN OTHER FLANGE TYPES ARE SELECTED.

PRINT NOT ON AUTOMATIC DISTRIBUTION VERIFY REVISION PRIOR TO USE

Narda-MITEQ PROPRIETARY THIS DOCUMENT CONTAINS INFORMATION WHICH IS PROPRIETARY TO Narda-MITEQ. THE CONTENTS SHALL NOT BE DISCLOSED, COPIED, DISTRIBUTED, OR USED UNLESS AUTHORIZED BY AN OFFICER OF Narda-MITEQ.	UNLESS OTHERWISE SPECIFIED DIMENSIONS ARE IN INCHES		14121		 435 MORELAND RD HAUPPAUGE, NY 11788	
	TOLERANCES ON		DECIMALS	ANGLES		
THESE ITEM(S)/TECHNOLOGY CONTAIN INFORMATION SUBJECT TO U.S. GOVERNMENT EXPORT CONTROL IN ACCORDANCE WITH THE EXPORT ADMINISTRATION REGULATIONS (EAR), 15 CFR PARTS 730-744. EXPORT OF THIS DATA TO ANY FOREIGN COUNTRY OR DISCLOSURE OF THIS DATA TO ANY NON-US PERSON MAY BE A VIOLATION OF FEDERAL LAW.	.XX ± .04 .XXX ± .005 ± 0°30'		PROJECTION	APPROVED BY		OUTLINE, WR340-440 HORN 10dB GAIN
	MATERIAL		AL ALY	PROJ ENGR	MFG ENG	
FINISH		CHEM FILM	NEXT ASSY		USED ON	SIZE: B CODE IDENT. NO.: 94S46 226352 REV.: C
APPLICATION		AUTOCAD FILE FORMAT		SCALE	REF	340-442-2 SHEET 1 OF 1

226352

D
C
B
A

D
C
B
A

5 4 3 2 1

5 4 3 2 1

FORM 10/2013

AUTOCAD 3-2022