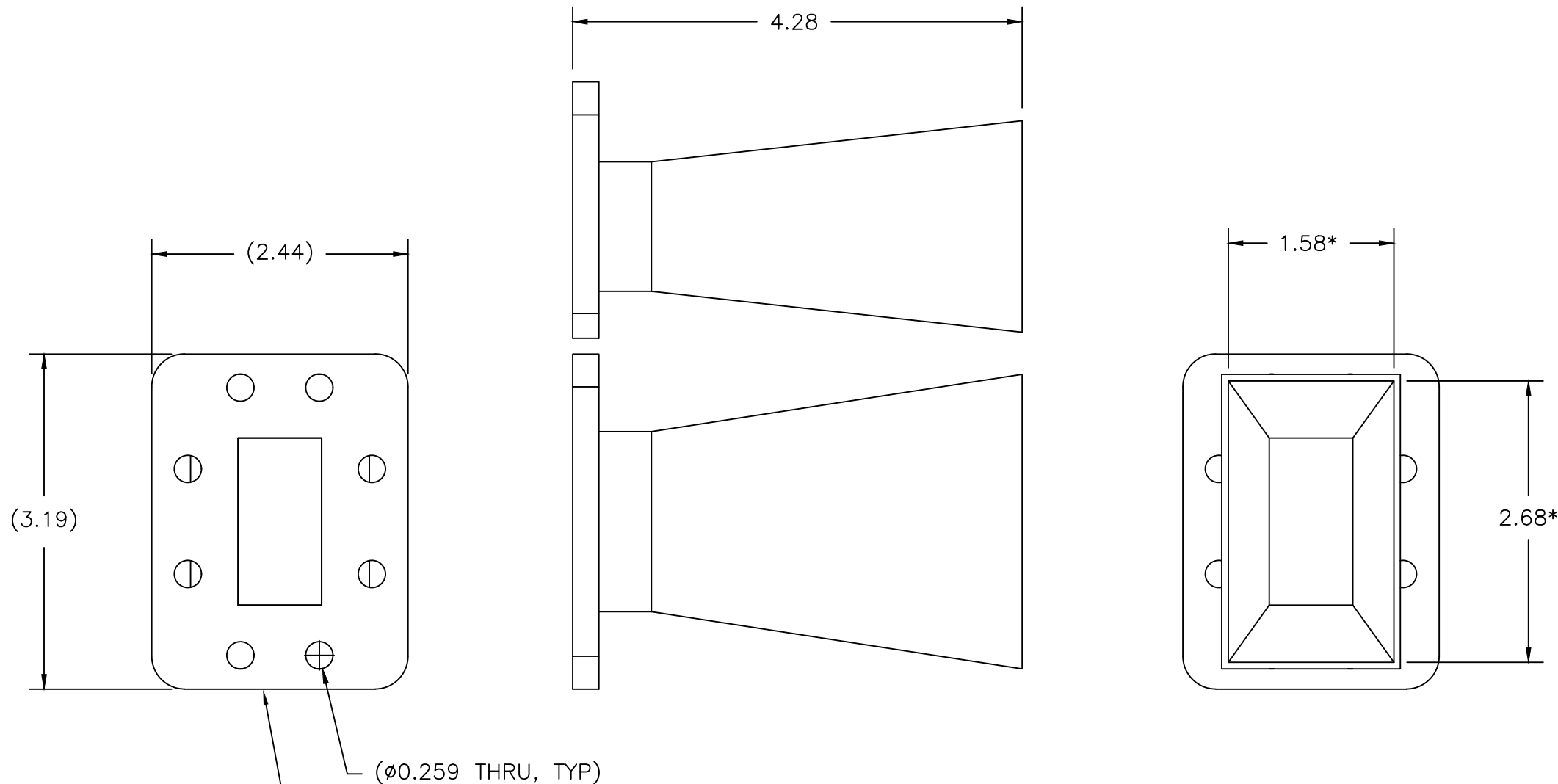


REV	AUTH	DATE	INITIAL RELEASE
A	DM	06/26/12	INITIAL RELEASE
B	LM	7/11/14	CHANGED TOLERANCE OF 2 PLACE DECIMAL FROM: +/--.01 TO: +/--.03
C	DM	05/03/17	UPDATED TITLE BLOCK

REVISIONS				
ZONE	LTR	DESCRIPTION	DATE	APPROVED
	C	N/M FORMAT UPDATE	05/03/22	



***NOTE:** THESE DIMENSIONS ARE BASED ON THE FLANGE TYPE SHOWN ABOVE, AND MAY CHANGE WHEN OTHER FLANGE TYPES ARE SELECTED.

*INSIDE DIMENSION

PRINT NOT ON AUTOMATIC DISTRIBUTION VERIFY REVISION PRIOR TO USE

<p>Narda-MITEQ PROPRIETARY THIS DOCUMENT CONTAINS INFORMATION WHICH IS PROPRIETARY TO Narda-MITEQ. THE CONTENTS SHALL NOT BE DISCLOSED, COPIED, DISTRIBUTED, OR USED UNLESS AUTHORIZED BY AN OFFICER OF Narda-MITEQ.</p>	<p>UNLESS OTHERWISE SPECIFIED DIMENSIONS ARE IN INCHES TOLERANCES ON DECIMALS ANGLES .XX±.03 .XXX±.005 ±0°30'</p>		<p>13962</p>		<p>narda MITEQ 435 MORELAND RD HAUPPAUGE, NY 11788</p>		
	<p>PROJECTION </p>		<p>DRN BY NAME DATE <i>Michael Rotunda</i> 11/24/20</p>				
<p>THESE ITEM(S)/TECHNOLOGY CONTAIN INFORMATION SUBJECT TO U.S. GOVERNMENT EXPORT CONTROL IN ACCORDANCE WITH THE EXPORT ADMINISTRATION REGULATIONS (EAR), 15 CFR PARTS 730-744. EXPORT OF THIS DATA TO ANY FOREIGN COUNTRY OR DISCLOSURE OF THIS DATA TO ANY NON-US PERSON MAY BE A VIOLATION OF FEDERAL LAW.</p>	<p>MATERIAL AL ALY</p>		<p>APPROVED BY</p>		<p>OUTLINE, WR51 HORN, 15dB GAIN</p>		
	<p>FINISH CHEM FILM</p>		<p>PROJ ENGR MFG ENG Q.A.</p>				
<p>159-440-2</p>		<p>APPLICATION</p>		<p>AUTOCAD FILE FORMAT</p>		<p>SIZE CODE IDENT. NO. REV. B 94S46 C</p>	
<p>NEXT ASSY USED ON</p>		<p>SCALE</p>		<p>REF 159-440-2</p>		<p>SHEET 1 OF 1</p>	

226173

226173

FORM 10/2013

AUTOCAD 9-2022