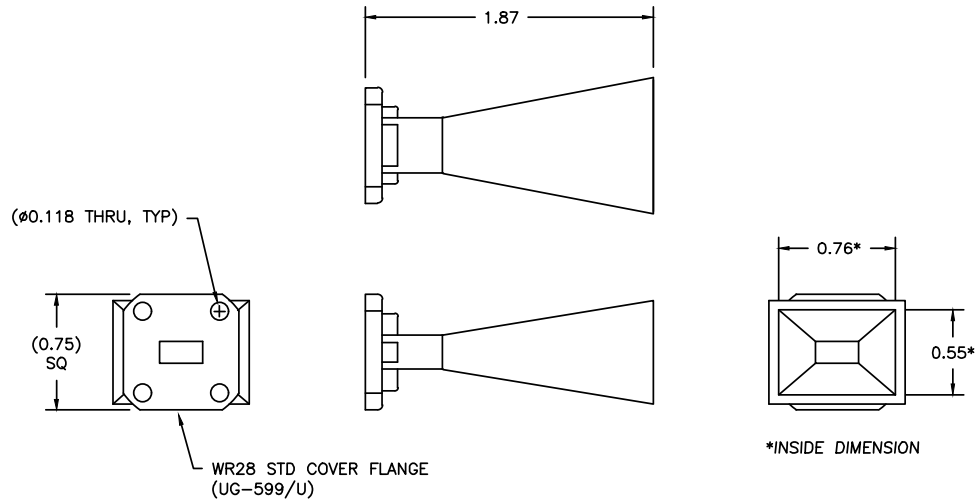


DASH NO.	APPLICATION		REVISIONS			
	NEXT ASSY	USED ON	LTR	DESCRIPTION	DATE	APPROVED
			C	N/M FORMAT UPDATE		

PRINT NOT ON AUTOMATIC DISTRIBUTION VERIFY REVISION PRIOR TO USE



*NOTE: THESE DIMENSIONS ARE BASED ON THE FLANGE TYPE SHOWN ABOVE, AND MAY CHANGE WHEN OTHER FLANGE TYPES ARE SELECTED.

THIS TECHNICAL DATA IS CONTROLLED UNDER THE U.S. INTERNATIONAL TRAFFIC IN ARMS REGULATIONS (ITAR) AND MAY NOT BE EXPORTED TO A FOREIGN PERSON, EITHER IN THE U.S. OR ABROAD, WITHOUT THE PROPER AUTHORIZATION BY THE U.S. DEPARTMENT OF STATE.

Narda-MITEQ PROPRIETARY

THIS DOCUMENT CONTAINS INFORMATION WHICH IS PROPRIETARY TO Narda-MITEQ. THE CONTENTS SHALL NOT BE DISCLOSED, COPIED, DISTRIBUTED, OR USED UNLESS AUTHORIZED BY AN OFFICER OF Narda-MITEQ.

28-441-6

UNLESS OTHERWISE SPECIFIED DIMENSIONS ARE IN INCHES TOLERANCES ON	NAME	DATE
	DWN <i>Michael Rotunda</i>	08/07/20
DECIMAL .X ±0.1 [2.5] DECIMAL .XX ±0.03 [0.76] DECIMAL .XXX ±0.005 [0.13] ANGLES X° ±30'	DFT	
	DES	
PROJECTION	PROJ	
	ENGR	
ALUMINUM ALLOY CHEM FILM	MFG	
	ENGR	
	Q.C.	
	CUST	



435 MORELAND RD HAUPPAUGE, NY 11788

OUTLINE,
WR28 15dB
HORN

SIZE A	CODE IDENT. NO. 94S46	225621	REV C
SCALE	PROJECT 13953	SHEET 1 OF 1	