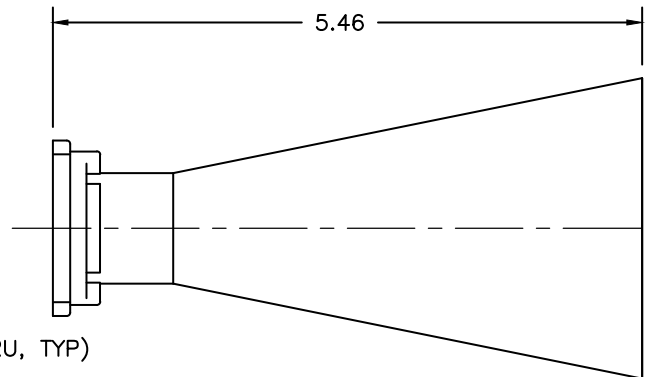


5 4 3 2 1

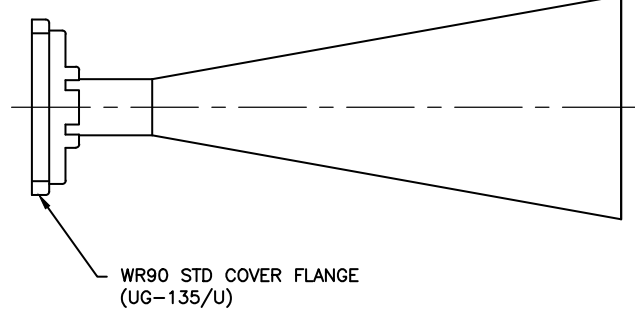
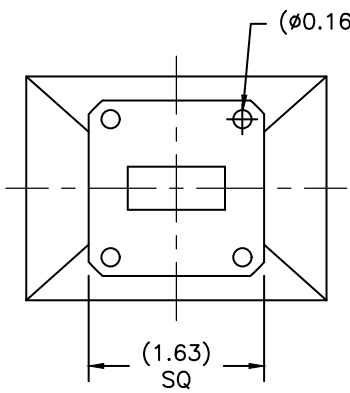
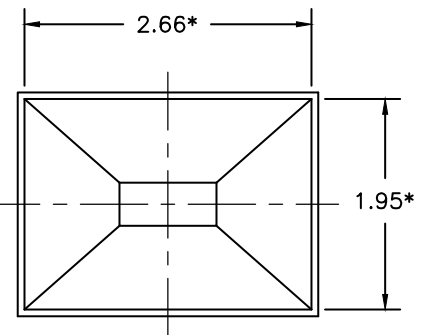
REV	AUTH	DATE	DESCRIPTION
A	D.M.	07/11/12	INITIAL RELEASE
B	L.M.	07/11/14	CHANGE TOLERANCE OF 2 PLACE DECIMAL FROM: +/--.01 TO: +/--.04
C	M.R.	12/08/16	UPDATED FLANGE ILLUSTRATION, NO DIMENSIONAL CHANGES. FORMAT UPDATE. 2 PLACE TOLERANCE CHANGED TO +/- .03
D	DM	05/02/17	UPDATED LOGO ; NO DIMENSION CHANGES

REVISIONS			
ZONE	LTR	DESCRIPTION	DATE
	D	N/M FORMAT UPDATE	05/03/22

225487



*INSIDE DIMENSION



***NOTE:** THESE DIMENSIONS ARE BASED ON THE FLANGE TYPE SHOWN ABOVE, AND MAY CHANGE WHEN OTHER FLANGE TYPES ARE SELECTED.

PRINT NOT ON AUTOMATIC DISTRIBUTION VERIFY REVISION PRIOR TO USE

<p>Narda-MITEQ PROPRIETARY THIS DOCUMENT CONTAINS INFORMATION WHICH IS PROPRIETARY TO Narda-MITEQ. THE CONTENTS SHALL NOT BE DISCLOSED, COPIED, DISTRIBUTED, OR USED UNLESS AUTHORIZED BY AN OFFICER OF Narda-MITEQ.</p>			UNLESS OTHERWISE SPECIFIED DIMENSIONS ARE IN INCHES TOLERANCES ON DECIMALS .XX±.03 .XXX±.005 ANGLES ±0°30'	13971	 435 MORELAND RD HAUPPAUGE, NY 11788																
	<p>THESE ITEM(S)/TECHNOLOGY CONTAIN INFORMATION SUBJECT TO U.S. GOVERNMENT EXPORT CONTROL IN ACCORDANCE WITH THE EXPORT ADMINISTRATION REGULATIONS (EAR), 15 CFR PARTS 730-744. EXPORT OF THIS DATA TO ANY FOREIGN COUNTRY OR DISCLOSURE OF THIS DATA TO ANY NON-US PERSON MAY BE A VIOLATION OF FEDERAL LAW.</p>			PROJECTION		<table border="1"> <tr> <th>DRN BY</th> <th>NAME</th> <th>DATE</th> </tr> <tr> <td></td> <td>Michael Rotunda</td> <td>07/06/20</td> </tr> </table>	DRN BY	NAME	DATE		Michael Rotunda	07/06/20	<p>OUTLINE 15dB 90-441-6</p>								
DRN BY	NAME	DATE																			
	Michael Rotunda	07/06/20																			
			MATERIAL AL ALY TYPE 6061-T6	APPROVED BY	<table border="1"> <tr> <th>SIZE</th> <th>CODE IDENT. NO.</th> <th>REV.</th> </tr> <tr> <td>B</td> <td>94S46</td> <td>D</td> </tr> </table>	SIZE	CODE IDENT. NO.	REV.	B	94S46	D										
SIZE	CODE IDENT. NO.	REV.																			
B	94S46	D																			
			FINISH CHEM FILM	<table border="1"> <tr> <th>PROJ ENGR</th> <th>MFG ENG</th> <th>Q.A.</th> </tr> <tr> <td></td> <td></td> <td></td> </tr> </table>	PROJ ENGR	MFG ENG	Q.A.				<table border="1"> <tr> <th>SCALE</th> <th>REF</th> <th>SHEET</th> <th>1 OF</th> <th>1</th> </tr> <tr> <td></td> <td>90-441-6</td> <td>1</td> <td>1</td> <td>1</td> </tr> </table>	SCALE	REF	SHEET	1 OF	1		90-441-6	1	1	1
PROJ ENGR	MFG ENG	Q.A.																			
SCALE	REF	SHEET	1 OF	1																	
	90-441-6	1	1	1																	

FORM 1000

AUTOCAD 3-2020

5 4 3 2 1