

5

4

3

2

1

REV	AUTH	DATE	INITIAL RELEASE
A	DM	06/26/12	INITIAL RELEASE
B	LM	7/11/14	CHANGE TOLERANCE OF 2 PLACE DECIMAL FROM /-01 TO +/-03
C	DM	05/03/17	UPDATED TITLE BLOCK

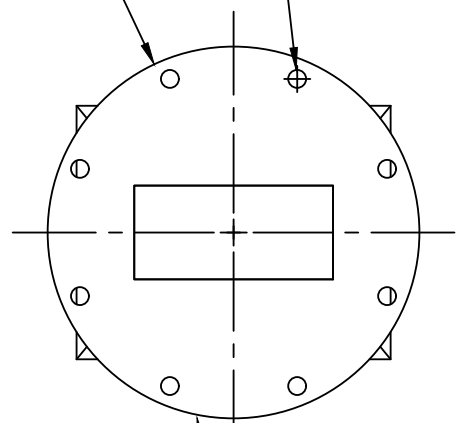
REVISIONS			
ZONE	LTR	DESCRIPTION	DATE
	C	N/M FORMAT UPDATE	05/03/22

225396

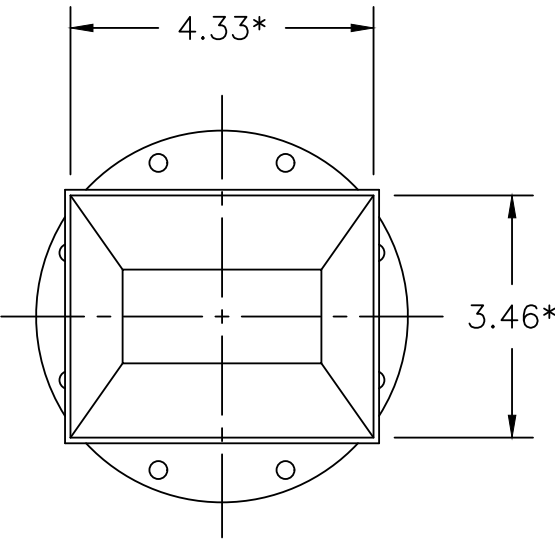
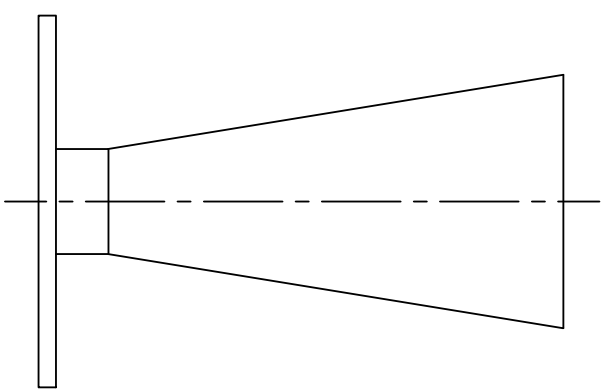
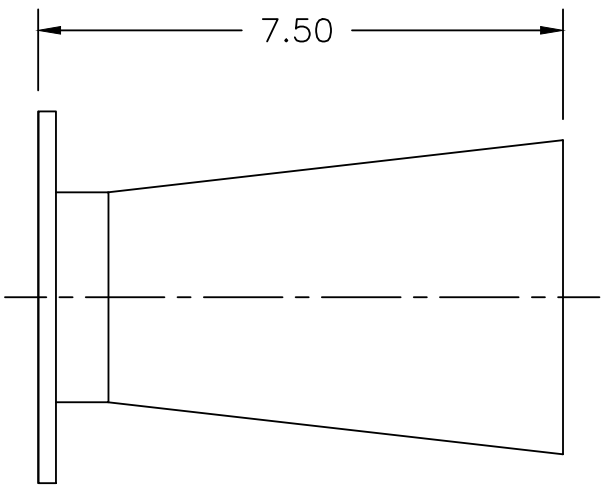
***NOTE:** THESE DIMENSIONS ARE BASED ON THE FLANGE TYPE SHOWN ABOVE, AND MAY CHANGE WHEN OTHER FLANGE TYPES ARE SELECTED.

(ϕ 0.257 THRU, TYP)

(ϕ 5.31)



WR284 STD COVER FLANGE
(UG-584/U)



*INSIDE DIMENSION

PRINT NOT ON AUTOMATIC DISTRIBUTION VERIFY REVISION PRIOR TO USE

<p>Narda-MITEQ PROPRIETARY THIS DOCUMENT CONTAINS INFORMATION WHICH IS PROPRIETARY TO Narda-MITEQ. THE CONTENTS SHALL NOT BE DISCLOSED, COPIED, DISTRIBUTED, OR USED UNLESS AUTHORIZED BY AN OFFICER OF Narda-MITEQ.</p>	<p>UNLESS OTHERWISE SPECIFIED DIMENSIONS ARE IN INCHES</p> <p>TOLERANCES ON</p> <p>DECIMALS ANGLES</p> <p>.XX ± .03 .XXX ± .005 ± 0°30'</p>		<p>13990</p>		<p>narda@MITEQ 435 MORELAND RD HAUPPAUGE, NY 11788</p>	
	<p>PROJECTION </p>		<p>DRN BY NAME DATE</p> <p>DRAFT DM 06/11/20</p>		<p>APPROVED BY</p>	
<p>THESE ITEM(S)/TECHNOLOGY CONTAIN INFORMATION SUBJECT TO U.S. GOVERNMENT EXPORT CONTROL IN ACCORDANCE WITH THE EXPORT ADMINISTRATION REGULATIONS (EAR), 15 CFR PARTS 730-744. EXPORT OF THIS DATA TO ANY FOREIGN COUNTRY OR DISCLOSURE OF THIS DATA TO ANY NON-US PERSON MAY BE A VIOLATION OF FEDERAL LAW.</p>	<p>MATERIAL AL ALY</p>		<p>PROJ ENGR</p>		<p>OUTLINE WR284 HORN 10dB GAIN</p>	
	<p>FINISH CHEM FILM</p>		<p>MFG ENG</p>		<p>Q.A.</p>	
<p>NEXT ASSY 284-440-6 USED ON</p>		<p>APPLICATION</p>		<p>AUTOCAD FILE FORMAT</p>		
<p>SCALE</p>		<p>REF 284-440-6</p>		<p>SHEET 1 OF 1</p>		

5

4

3

2

1

FORM 10/2013

AUTOCAD 3-2022