

5

4

3

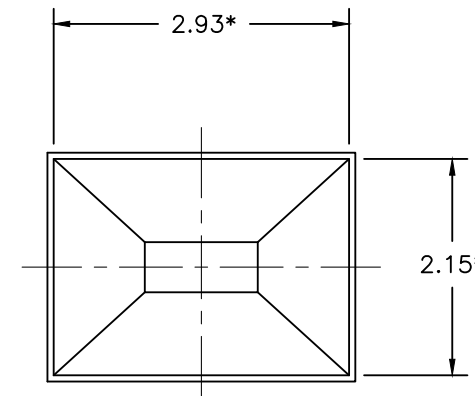
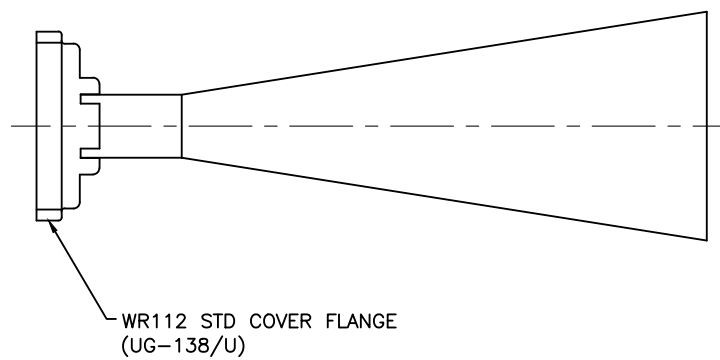
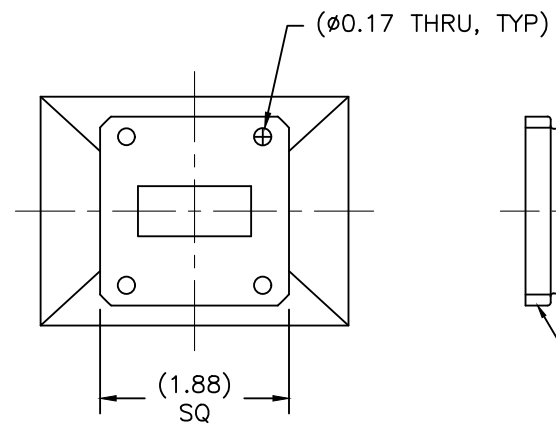
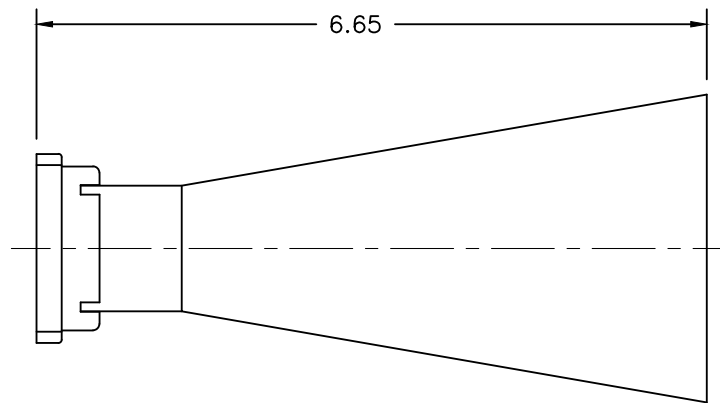
2

1

REV	AUTH	DATE	INITIAL RELEASE
A	D.M.	07/11/12	INITIAL RELEASE
B	L.M.	07/11/14	CHANGE TOLERANCE OF 2 PLACE DECIMAL FROM: +/--.01 TO: +/--.03
C	M.R.	12/06/16	UPDATED FLANGE ILLUSTRATION, NO DIMENSIONAL CHANGES. FORMAT UPDATE.
D	DM	05/02/17	UPDATED TITLE BLOCK ; NO DIMENSIONAL CHANGES

REVISIONS			
ZONE	LTR	DESCRIPTION	DATE
	D	N/M FORMAT UPDATE	04/28/22
APPROVED			

224833



*INSIDE DIMENSION

***NOTE:** THESE DIMENSIONS ARE BASED ON THE FLANGE TYPE SHOWN ABOVE, AND MAY CHANGE WHEN OTHER FLANGE TYPES ARE SELECTED.

PRINT NOT ON AUTOMATIC DISTRIBUTION VERIFY REVISION PRIOR TO USE

Narda-MITEQ PROPRIETARY THIS DOCUMENT CONTAINS INFORMATION WHICH IS PROPRIETARY TO Narda-MITEQ. THE CONTENTS SHALL NOT BE DISCLOSED, COPIED, DISTRIBUTED, OR USED UNLESS AUTHORIZED BY AN OFFICER OF Narda-MITEQ.	UNLESS OTHERWISE SPECIFIED DIMENSIONS ARE IN INCHES TOLERANCES ON DECIMALS ANGLES .XX±.01 .XXX±.005 ±0°30'		13977 DRN BY NAME DATE DM 04/16/20		 435 MORELAND RD HAUPPAUGE, NY 11788		
	THESE ITEM(S)/TECHNOLOGY CONTAIN INFORMATION SUBJECT TO U.S. GOVERNMENT EXPORT CONTROL IN ACCORDANCE WITH THE EXPORT ADMINISTRATION REGULATIONS (EAR), 15 CFR PARTS 730-744. EXPORT OF THIS DATA TO ANY FOREIGN COUNTRY OR DISCLOSURE OF THIS DATA TO ANY NON-US PERSON MAY BE A VIOLATION OF FEDERAL LAW.		PROJECTION				APPROVED BY PROJ ENGR MFG ENG Q.A.
NEXT ASSY USED ON APPLICATION		MATERIAL AL ALY FINISH CHEM FILM		OUTLINE WR112 HORN 15dB			
112-441-6		AUTOCAD FILE FORMAT		SIZE B	CODE IDENT. NO. 94S46	224833	REV. D
				SCALE REF 112-441-6	SHEET 1 OF 1		

5

4

3

2

1

FORM 10/2013

AUTOCAD 3-2022