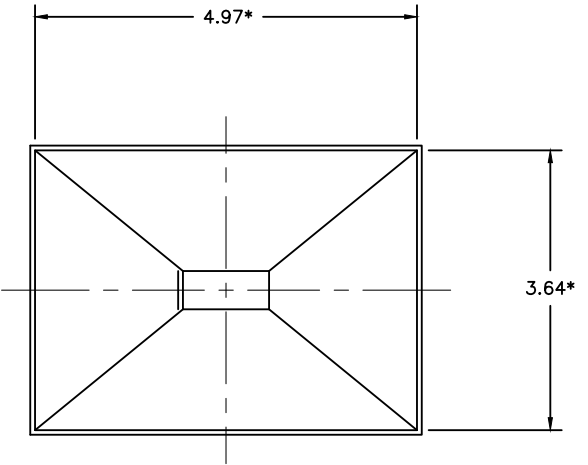
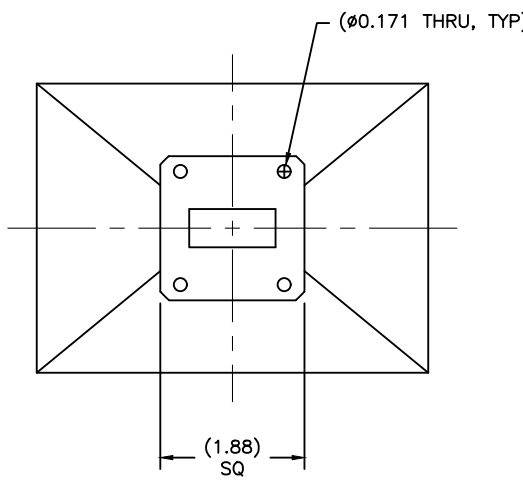
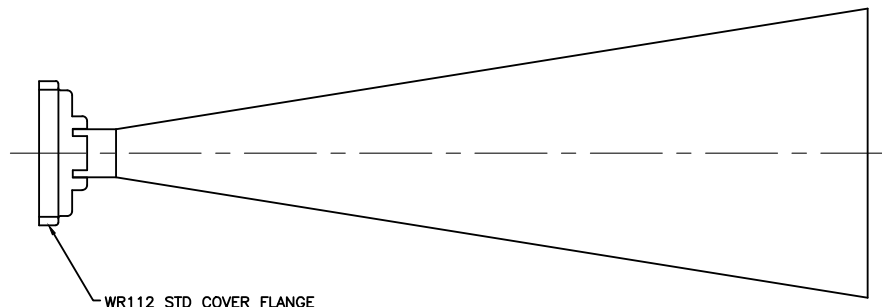
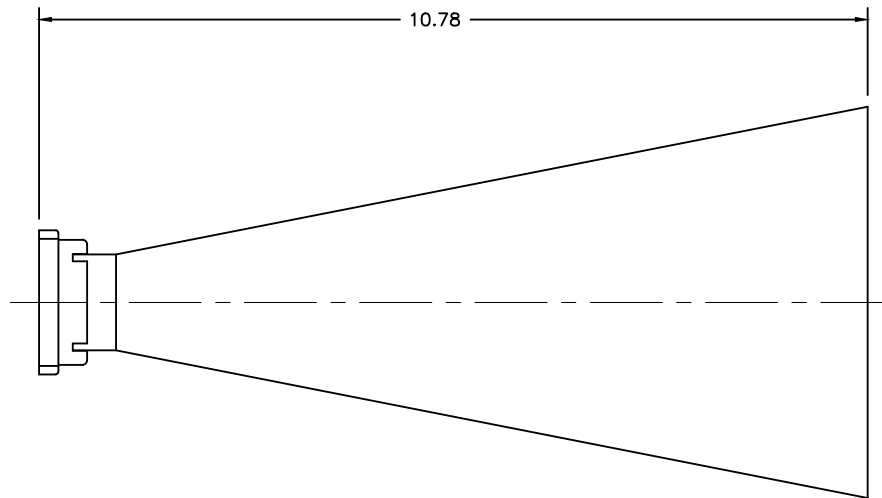


224828

REV A	AUTH D.M.	DATE 07/30/12	INITIAL RELEASE
REV B	AUTH L.M.	DATE 07/11/14	CHANGE TOLERANCE OF 2 PLACE DECIMAL FROM: +/--.01 TO: +/--.03
REV C	AUTH M.R.	DATE 12/06/16	UPDATED FLANGE ILLUSTRATION, NO DIMENSIONAL CHANGES. FORMAT UPDATE
REV D	AUTH DM	DATE 05/04/17	UPDATED TITLE BLOCK

REVISIONS				
ZONE	LTR	DESCRIPTION	DATE	APPROVED
	D	N/M FORMAT UPDATE	04/28/22	



*INSIDE DIMENSION

*NOTE: THESE DIMENSIONS ARE BASED ON THE FLANGE TYPE SHOWN ABOVE, AND MAY CHANGE WHEN OTHER FLANGE TYPES ARE SELECTED.

PRINT NOT ON AUTOMATIC DISTRIBUTION VERIFY REVISION PRIOR TO USE

<p>Narda-MITEQ PROPRIETARY THIS DOCUMENT CONTAINS INFORMATION WHICH IS PROPRIETARY TO Narda-MITEQ. THE CONTENTS SHALL NOT BE DISCLOSED, COPIED, DISTRIBUTED, OR USED UNLESS AUTHORIZED BY AN OFFICER OF Narda-MITEQ.</p>	<p>UNLESS OTHERWISE SPECIFIED DIMENSIONS ARE IN INCHES</p> <p>TOLERANCES ON</p> <p>DECIMALS ANGLES</p> <p>.XX±.03 .XXX±.005 ±0°30'</p>		<p>13978</p>		<p>narda@MITEQ 435 MORELAND RD HAUPPAUGE, NY 11788</p>
	<p>PROJECTION </p>		<p>DRN BY NAME DATE</p> <p>DM DM 04/16/20</p>		
<p>THESE ITEM(S)/TECHNOLOGY CONTAIN INFORMATION SUBJECT TO U.S. GOVERNMENT EXPORT CONTROL IN ACCORDANCE WITH THE EXPORT ADMINISTRATION REGULATIONS (EAR), 15 CFR PARTS 730-744. EXPORT OF THIS DATA TO ANY FOREIGN COUNTRY OR DISCLOSURE OF THIS DATA TO ANY NON-US PERSON MAY BE A VIOLATION OF FEDERAL LAW.</p>	<p>MATERIAL AL ALY</p>		<p>APPROVED BY</p>		<p>SIZE CODE IDENT. NO.</p> <p>B 94S46</p>
	<p>FINISH CHEM FILM</p>		<p>PROJ ENGR MFG ENG Q.A.</p>		
<p>NEXT ASSY USED ON</p>		<p>APPLICATION</p>		<p>AUTOCAD FILE FORMAT</p>	
<p>112-442-6</p>		<p>SCALE REF SHEET</p>		<p>1 OF 1</p>	

FORM 10/2013

AUTOCAD 3-2022