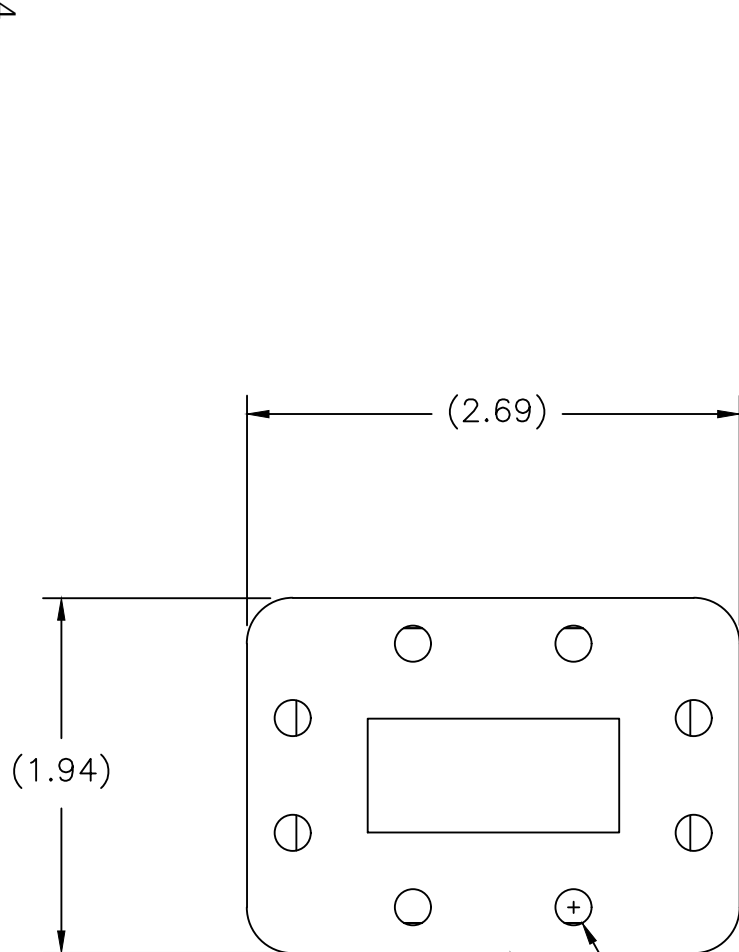


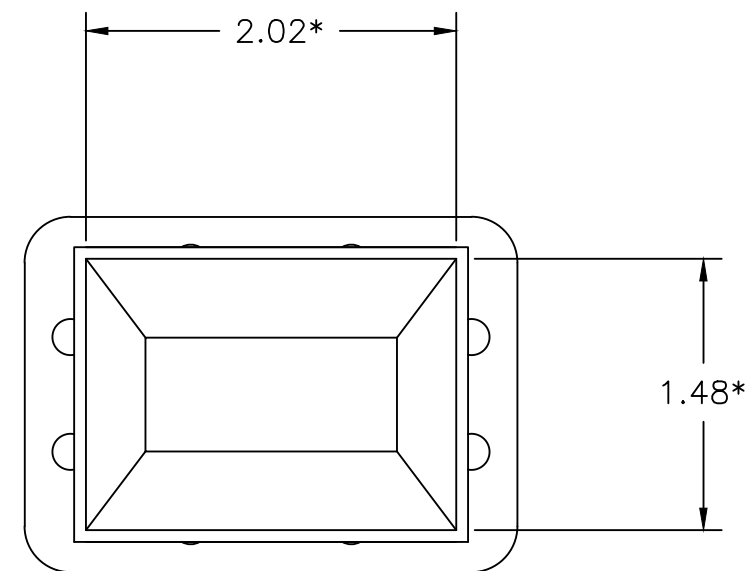
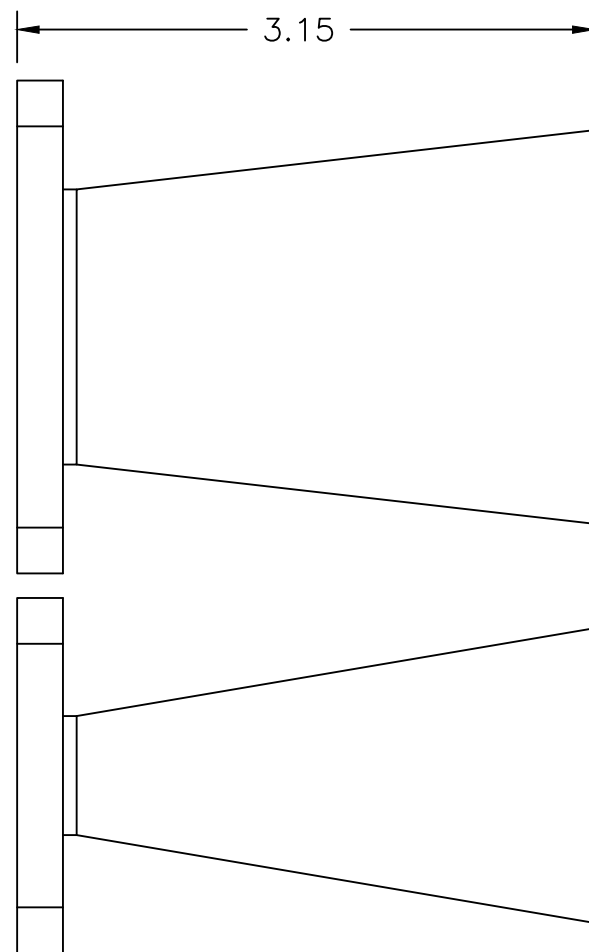
REV A	AUTH DM	DATE 04/16/13	INITIAL RELEASE
B	LM	7/11/14	CHANGE TOLERANCE OF 2 PLACE DECIMAL FROM: +/- .01 TO: +/- .03
C	DM	05/03/17	UPDATED TITLE BLOCK

REVISIONS				
ZONE	LTR	DESCRIPTION	DATE	APPROVED
	C	N/M FORMAT UPDATE	04/28/22	

224324



( $\phi$ 0.198 THRU, TYP)  
WR137 STD CPRF FLANGE  
(UG-1733/U)



**\*NOTE:** THESE DIMENSIONS ARE BASED ON THE FLANGE TYPE SHOWN ABOVE, AND MAY CHANGE WHEN OTHER FLANGE TYPES ARE SELECTED.

**\*INSIDE DIMENSION**

PRINT NOT ON AUTOMATIC DISTRIBUTION VERIFY REVISION PRIOR TO USE

<p><b>Narda-MITEQ PROPRIETARY</b> THIS DOCUMENT CONTAINS INFORMATION WHICH IS PROPRIETARY TO Narda-MITEQ. THE CONTENTS SHALL NOT BE DISCLOSED, COPIED, DISTRIBUTED, OR USED UNLESS AUTHORIZED BY AN OFFICER OF Narda-MITEQ.</p> <p>THESE ITEM(S)/TECHNOLOGY CONTAIN INFORMATION SUBJECT TO U.S. GOVERNMENT EXPORT CONTROL IN ACCORDANCE WITH THE EXPORT ADMINISTRATION REGULATIONS (EAR), 15 CFR PARTS 730-744. EXPORT OF THIS DATA TO ANY FOREIGN COUNTRY OR DISCLOSURE OF THIS DATA TO ANY NON-US PERSON MAY BE A VIOLATION OF FEDERAL LAW.</p>			UNLESS OTHERWISE SPECIFIED DIMENSIONS ARE IN INCHES TOLERANCES ON DECIMALS      ANGLES .XX ± .03      .XXX ± .005      ± 0°30'	14118	 435 MORELAND RD HAUPPAUGE, NY 11788
			PROJECTION	DRN BY: NAME DM, DATE 03/04/20	
		MATERIAL: AL ALY		PROJ ENGR	<p><b>OUTLINE WR137 HORN 10dB GAIN</b></p>
		FINISH: CHEM FILM		MFG ENG	
	137-440-2			Q.A.	SIZE: B
	NEXT ASSY	USED ON			CODE IDENT. NO.: 94S46
	APPLICATION				224324
					REV: C
					AUTOCAD FILE FORMAT
					SCALE: REF: 137-440-2 SHEET: 1 OF 1

FORM 10/2013

AUTOCAD 3-2022