

5

4

3

2

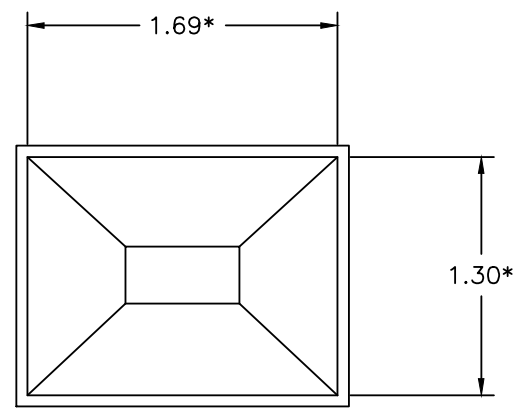
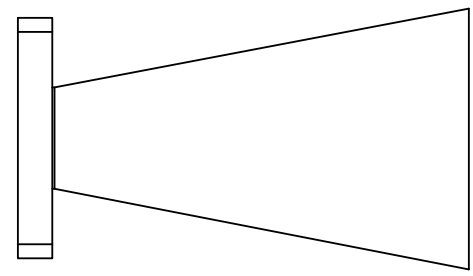
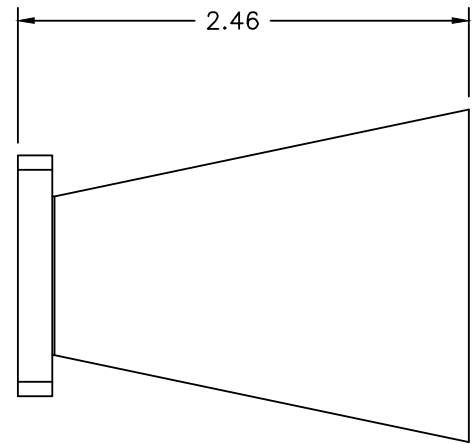
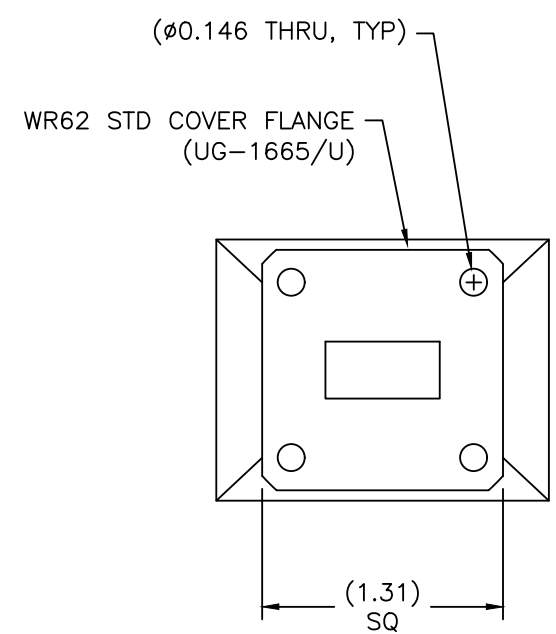
1

REV	AUTH	DATE	DESCRIPTION
B	LM	07/09/14	DIMENSION CORRECTION PER EDN 07-09-14-01 CHANGED TOLERANCE OF THE 2 POINT DECIMAL FROM: +/- .01 TO: +/- .03
C	DM	05/01/17	UPDATED LOGO ; NO DIM CHANGES

REVISIONS			
ZONE	LTR	DESCRIPTION	DATE
	C	N/M FORMAT UPDATE	05/03/22

221563

**\*NOTE:** THESE DIMENSIONS ARE BASED ON THE FLANGE TYPE SHOWN ABOVE, AND MAY CHANGE WHEN OTHER FLANGE TYPES ARE SELECTED.



\*INSIDE DIMENSION

PRINT NOT ON AUTOMATIC DISTRIBUTION VERIFY REVISION PRIOR TO USE

<p><b>Narda-MITEQ PROPRIETARY</b> THIS DOCUMENT CONTAINS INFORMATION WHICH IS PROPRIETARY TO Narda-MITEQ. THE CONTENTS SHALL NOT BE DISCLOSED, COPIED, DISTRIBUTED, OR USED UNLESS AUTHORIZED BY AN OFFICER OF Narda-MITEQ.</p>	<p>UNLESS OTHERWISE SPECIFIED DIMENSIONS ARE IN INCHES</p> <p>TOLERANCES ON</p> <p>DECIMALS      ANGLES</p> <p>.XX±.03      .XXX±.005      ±0°30'</p>		<p>13965</p> <p>DRN BY: NAME <i>Daniel Ford</i> DATE <i>09/05/19</i></p>		<p><b>narda@MITEQ</b> 435 MORELAND RD HAUPPAUGE, NY 11788</p> <p><b>OUTLINE, WR62 HORN, 15dB GAIN</b></p>			
	<p>PROJECTION </p> <p>MATERIAL: AL ALY</p> <p>FINISH: CHEM FILM</p>		<p>APPROVED BY</p> <p>PROJ ENGR</p> <p>MFG ENG</p> <p>Q.A.</p>					<p>SIZE: B</p>
<p>THESE ITEM(S)/TECHNOLOGY CONTAIN INFORMATION SUBJECT TO U.S. GOVERNMENT EXPORT CONTROL IN ACCORDANCE WITH THE EXPORT ADMINISTRATION REGULATIONS (EAR), 15 CFR PARTS 730-744. EXPORT OF THIS DATA TO ANY FOREIGN COUNTRY OR DISCLOSURE OF THIS DATA TO ANY NON-US PERSON MAY BE A VIOLATION OF FEDERAL LAW.</p>	<p>62-441-6</p>	<p>NEXT ASSY</p>	<p>USED ON</p>	<p>AUTOCAD FILE FORMAT</p>		<p>SCALE</p>	<p>REF: 62-441-6</p>	<p>SHEET 1 OF 1</p>

5

4

3

2

1

Form 10/2013

AUTOCAD 3-2022