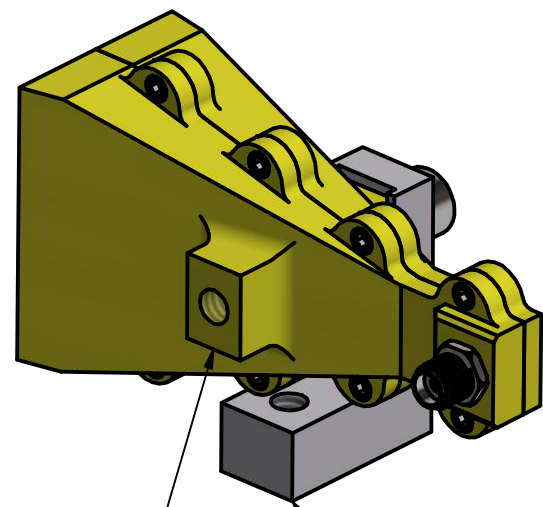
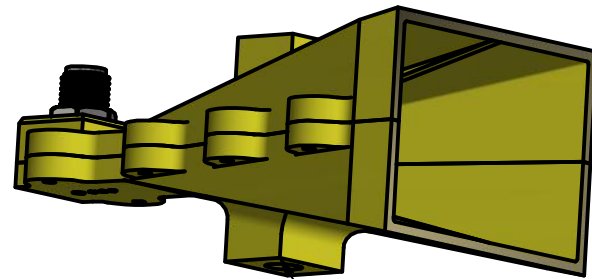


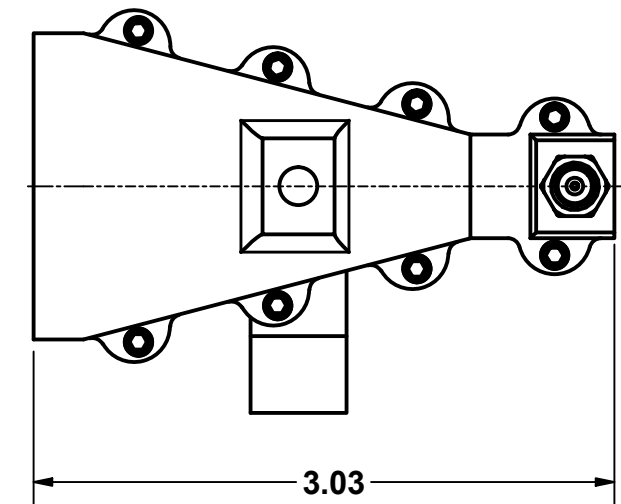
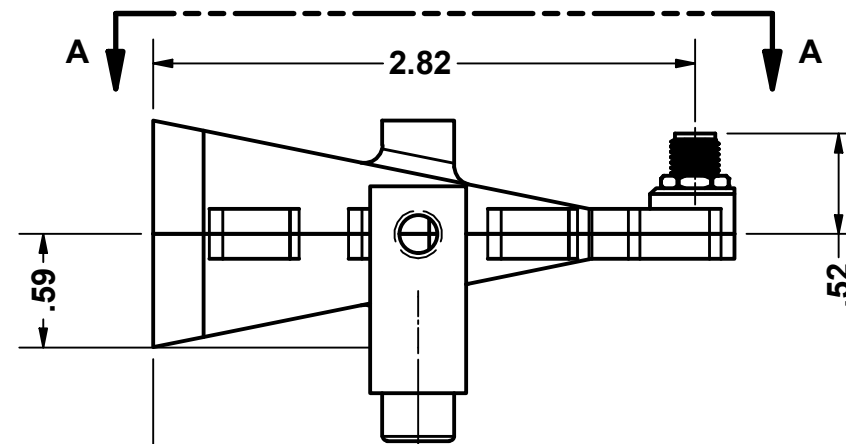
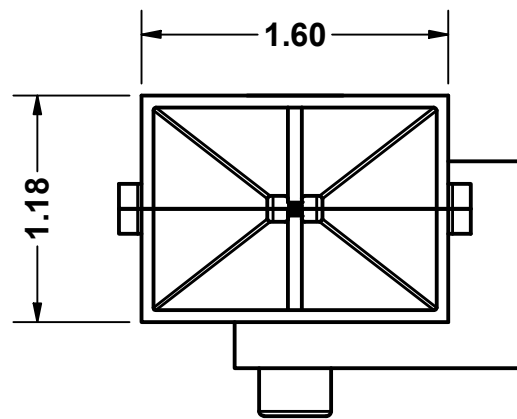
REVISION HISTORY			
REV	AUTH	DATE	DESCRIPTION
A	BF	7-28-16	INITIAL RELEASE
B	BF	1-23-17	MOUNTING BRACKET ADDED
C	BF	3-31-17	ADD MOUNTING BOSS ON OPPOSITE HALF OF HORN- FOR MULTI MOUNT CONFIGURATION OPTION



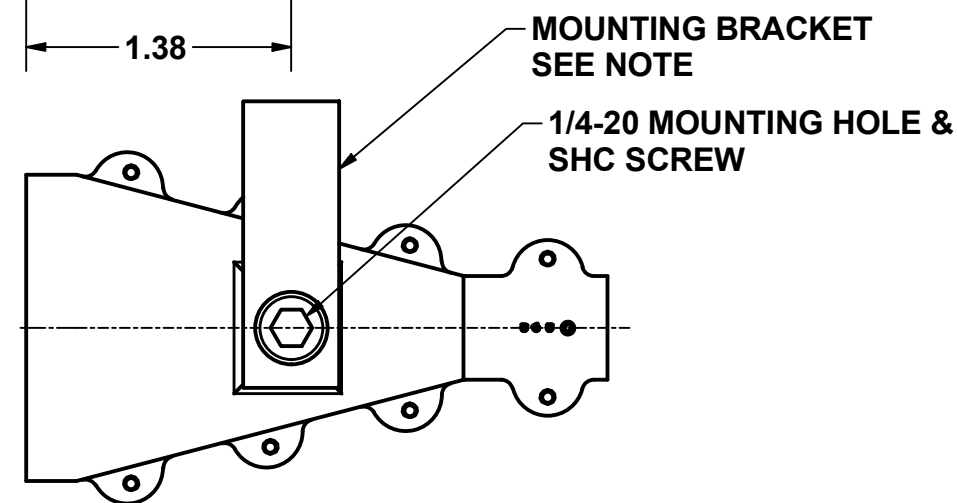
REMOVABLE MOUNTING BRACKET



MOUNTING POST
1/4 FEMALE THREAD



VIEW A-A
SCALE 1.00



MOUNTING BRACKET
SEE NOTE

1/4-20 MOUNTING HOLE &
SHC SCREW

PERFORMANCE SPECIFICATIONS:

MODEL# 180-442-KF
WG SIZE: WRD180
FREQ: 18.0 - 40.0 GHz
GAIN: 14-19dB (LOW- HIGH FREQ)
CONNECTOR TYPE- K (F)

NOTE: MOUNTING BRACKET AND POST CAN BE UTILIZED FOR BOTH E AND H PLANE.

PRINT NOT ON AUTOMATIC DISTRIBUTION VERIFY REVISION PRIOR TO USE

Narda-MITEQ PROPRIETARY THIS DOCUMENT CONTAINS INFORMATION WHICH IS PROPRIETARY TO Narda-MITEQ THE CONTENTS SHALL NOT BE DISCLOSED, COPIED, DISTRIBUTED OR USED UNLESS AUTHORIZED BY AN OFFICER OF Narda-MITEQ	UNLESS OTHERWISE SPECIFIED DIMENSIONS ARE IN INCHES TOLERANCES ON DECIMAL ANGLES X±.1 XX'.01 XXX'.005 °0-30'	17911		 435 MORELAND RD HALPLIDGE, NY 11786
		DRN BY BF CHKD BY APPROVED BY	7/28/2016	
THIS TECHNICAL DATA IS CONTROLLED UNDER THE U.S. INTERNATIONAL TRAFFIC IN ARMS REGULATIONS (ITAR) AND MAY NOT BE EXPORTED TO A FOREIGN PERSON, EITHER IN THE U.S. OR ABROAD, WITHOUT THE PROPER AUTHORIZATION BY THE U.S. DEPARTMENT OF STATE.	MATERIAL AL ALY FINISH CHEM FILM	PROJ ENGR ENG SECT Q.A. CUST	INVENTOR FILE 17911.idw	SIZE B CODE INCDT 94S46 DRAWING NUMBER 221538 SCALE REF SHEET 1 OF 1