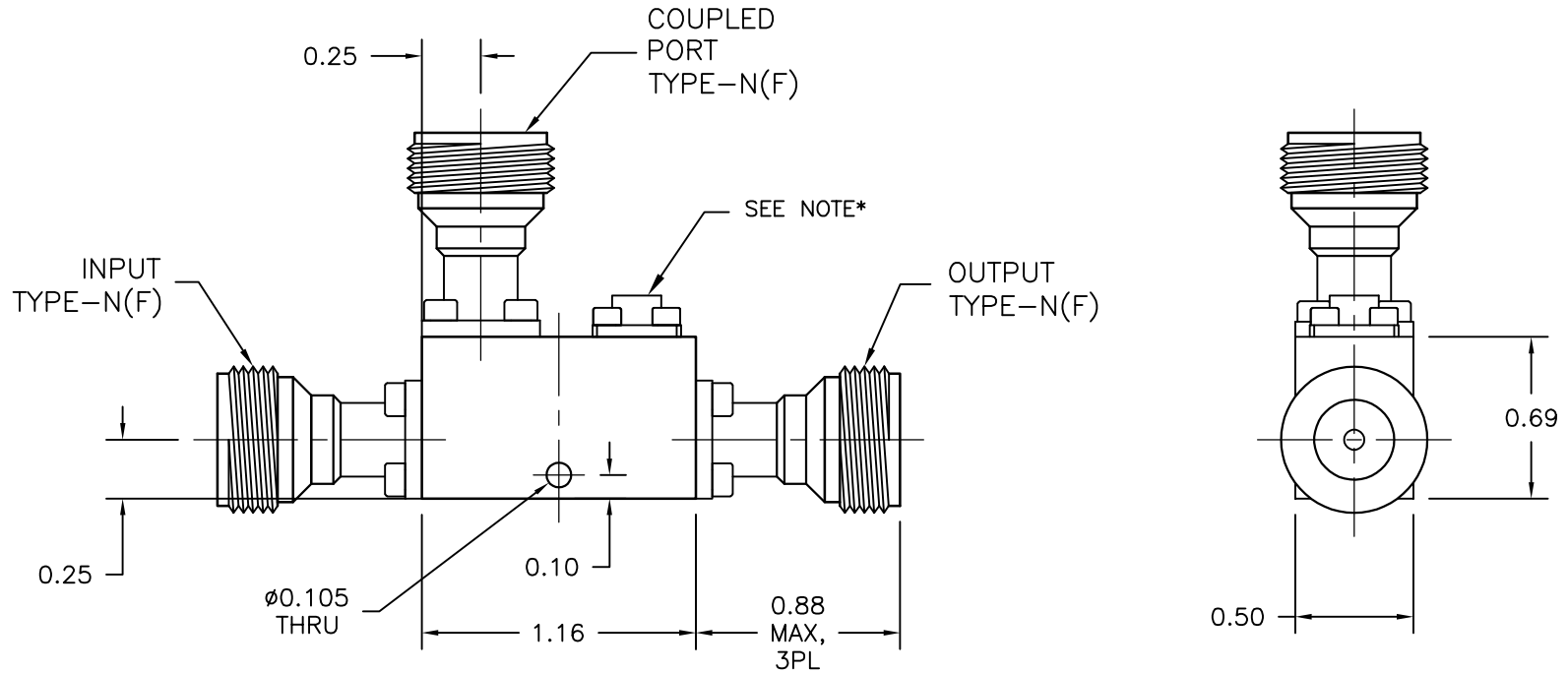


REV A	AUTH L.M.	DATE 10/07/13	INITIAL RELEASE
REV B	AUTH M.R.	DATE 10/12/18	FORMAT / DIM UNPDATE. ADDED APPLICATION TABLE



APPLICATION TABLE
MODEL#
C214-6
C214-10
C214-20
C214-30

221409

NOTES:

- *NOTE: SECONDARY TERMINATION CAN BE INTERNAL OR EXTERNAL DEPENDING ON MODEL AND SHOULD NOT BE REMOVED. FOR CONNECTORIZED LOADS CONSULT FACTORY.

THIRD ANGLE PROJECTION:		APPROVALS	DATE			L-3 Narda - ATM TEL: (631) 289-0363 FAX: (631) 289-0358 www.atmmicrowave.com		<small>THE INFORMATION IN THIS DRAWING IS PROPRIETARY AND SHALL NOT BE USED OR DISCLOSED WITHOUT THE PRIOR WRITTEN CONSENT OF ATM, INC. DO NOT SCALE DWG.</small>	
UNLESS OTHERWISE NOTED, DIMENSIONS ARE IN INCHES, TOLERANCES ARE: FRACTIONS: ±1/64 ANGLES: ±1/2° MACHINED FINISH 63 ✓ OR BETTER		DRAWN L.M.	10/07/13	DIRECTIONS CHKD. APRVD.		DIRECTIONAL COUPLER TYPE-N CONNECTORS			
DECIMALS 2 PLACE 3 PLACE		MATERIAL ALUM BODY	TREATMENT -						
±.01	±.005	FINISH CHEM FILM	SCALE 1 : 1	SIZE A	CAGE CODE OR8N4	ATM DWG # 15464	REVISION A	SHEET 1/1	