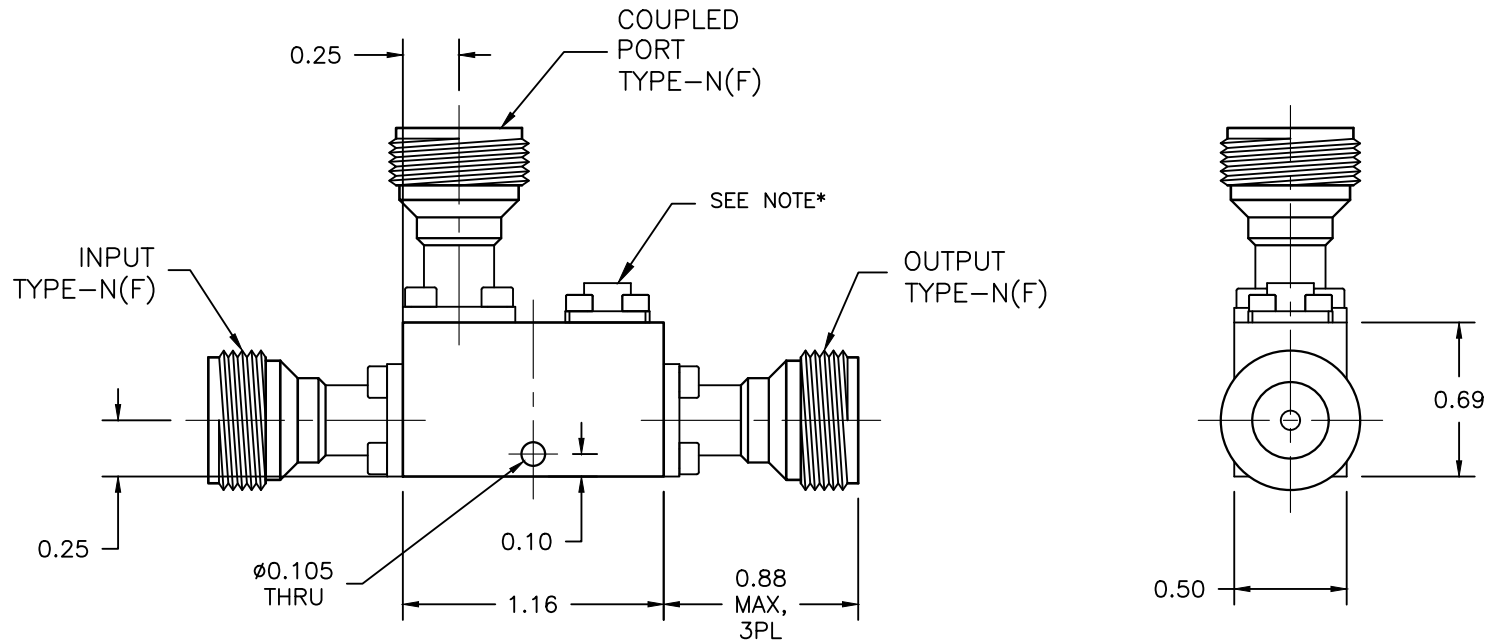


REV A	AUTH L.M.	DATE 10/07/13	INITIAL RELEASE
REV B	AUTH M.R.	DATE 10/12/18	FORMAT / DIM UNDATE. ADDED APPLICATION TABLE



APPLICATION TABLE
MODEL#
C214-6
C214-10
C214-20
C214-30

221409

NOTES:

- *NOTE: SECONDARY TERMINATION CAN BE INTERNAL OR EXTERNAL DEPENDING ON MODEL AND SHOULD NOT BE REMOVED. FOR CONNECTORIZED LOADS CONSULT FACTORY.

THIRD ANGLE PROJECTION:	APPROVALS	DATE			L-3 Narda - ATM TEL: (631) 289-0363 FAX: (631) 289-0358 www.atmmicrowave.com	<small>THE INFORMATION IN THIS DRAWING IS PROPRIETARY AND SHALL NOT BE USED OR DISCLOSED WITHOUT THE PRIOR WRITTEN CONSENT OF ATM, INC. DO NOT SCALE DWG.</small>
UNLESS OTHERWISE NOTED, DIMENSIONS ARE IN INCHES, TOLERANCES ARE: FRACTIONS: ±1/64 ANGLES: ±1/2° MACHINED FINISH 63 ✓ OR BETTER	DRAWN L.M.	10/07/13	DIRECTIONAL COUPLER TYPE-N CONNECTORS			
DECIMALS 2 PLACE 3 PLACE	CHKD.					
±.01 ±.005	APRVD.		SIZE A	CAGE CODE OR8N4	ATM DWG # 15464	REVISION A
	MATERIAL ALUM BODY		SCALE 1 : 1	MODEL # SEE TABLE		SHEET 1/1
	TREATMENT -					
	FINISH CHEM FILM					