

5

4

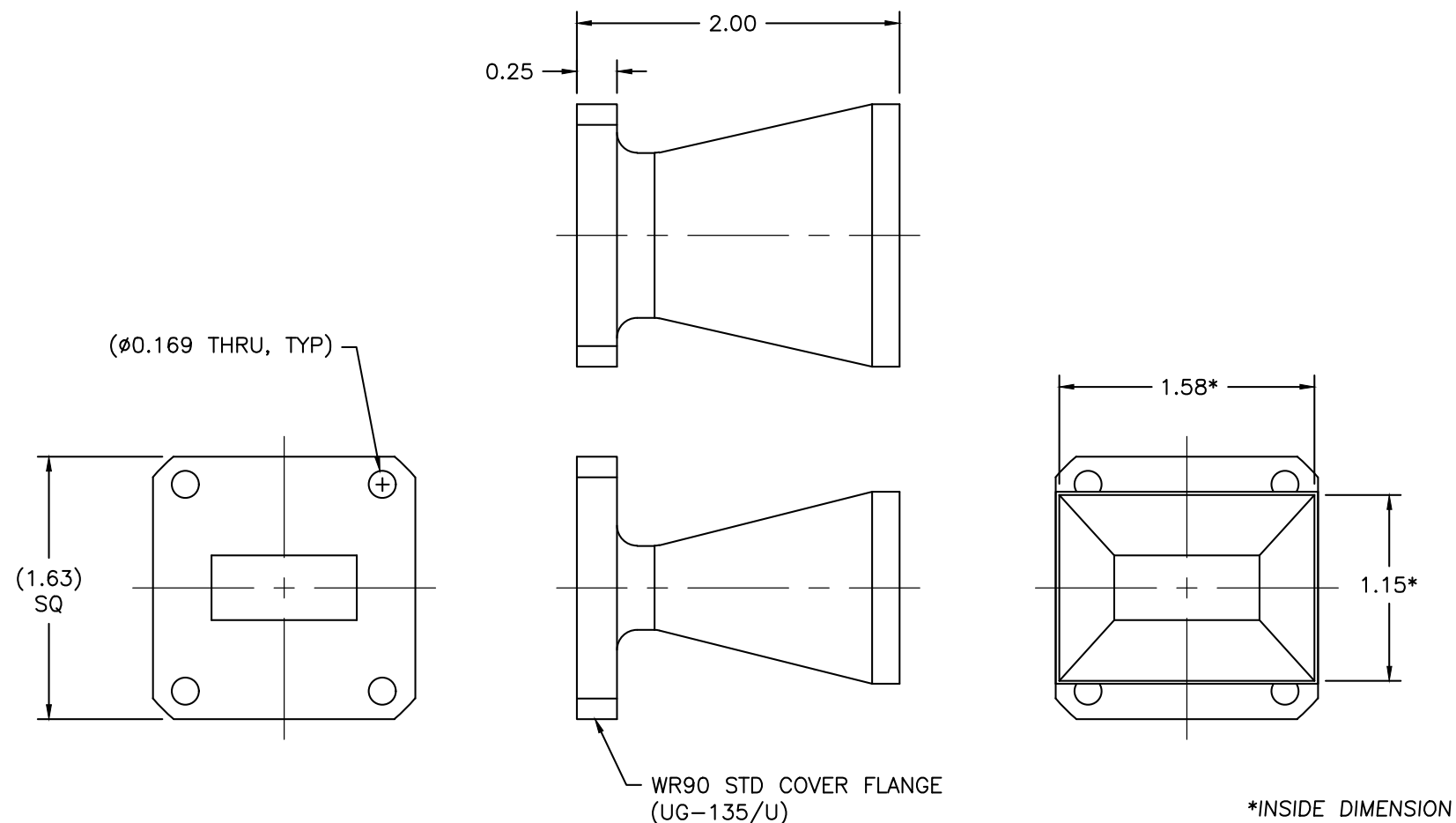
3

2

1

REV	AUTH	DATE	INITIAL RELEASE	REVISIONS				
A	D.M.	06/26/12	INITIAL RELEASE	ZONE	LTR	DESCRIPTION	DATE	APPROVED
B	L.M.	07/11/14	CHANGE TOLERANCE OF 2 PLACE DECIMAL FROM: +/-01 TO: +/-03					
C	M.R.	12/06/16	UPDATED FLANGE ILLUSTRATION, NO DIMENSIONAL CHANGES. FORMAT UPDATE		C	N/M FORMAT UPDATE	05/03/22	

221188



***NOTE:** THESE DIMENSIONS ARE BASED ON THE FLANGE TYPE SHOWN ABOVE, AND MAY CHANGE WHEN OTHER FLANGE TYPES ARE SELECTED.

PRINT NOT ON AUTOMATIC DISTRIBUTION VERIFY REVISION PRIOR TO USE

Narda-MITEQ PROPRIETARY THIS DOCUMENT CONTAINS INFORMATION WHICH IS PROPRIETARY TO Narda-MITEQ. THE CONTENTS SHALL NOT BE DISCLOSED, COPIED, DISTRIBUTED, OR USED UNLESS AUTHORIZED BY AN OFFICER OF Narda-MITEQ.	UNLESS OTHERWISE SPECIFIED DIMENSIONS ARE IN INCHES TOLERANCES ON DECIMALS ANGLES .XX±.03 .XXX±.005 ±0°30'		13970 DRN BY NAME DATE Daniel Ford 08/21/19		 435 MORELAND RD HAUPPAUGE, NY 11788 OUTLINE, WR90 HORN-10 DB GAIN		
	PROJECTION		APPROVED BY				
THESE ITEM(S)/TECHNOLOGY CONTAIN INFORMATION SUBJECT TO U.S. GOVERNMENT EXPORT CONTROL IN ACCORDANCE WITH THE EXPORT ADMINISTRATION REGULATIONS (EAR), 15 CFR PARTS 730-744. EXPORT OF THIS DATA TO ANY FOREIGN COUNTRY OR DISCLOSURE OF THIS DATA TO ANY NON-US PERSON MAY BE A VIOLATION OF FEDERAL LAW.	MATERIAL AL ALY 6061-T6		PROJ ENGR MFG ENG Q.A.		SIZE CODE IDENT. NO. B 94S46	221188	REV. C
	FINISH CHEM FILM		APPLICATION NEXT ASSY USED ON		AUTOCAD FILE FORMAT		SCALE REF 90-440-6 SHEET 1 OF 1

5

4

3

2

1

FORM 10/2013

AUTOCAD 3-2002