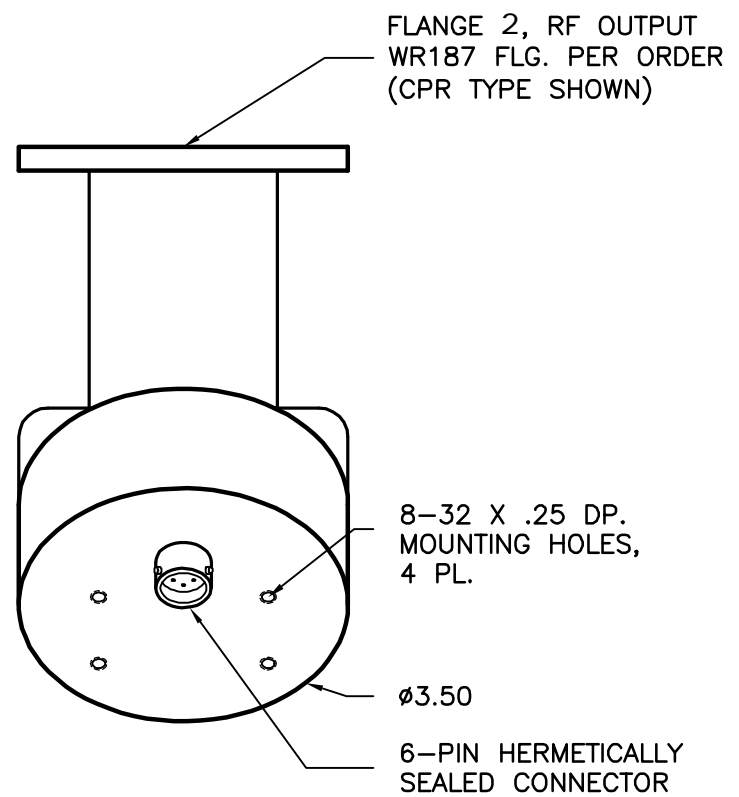
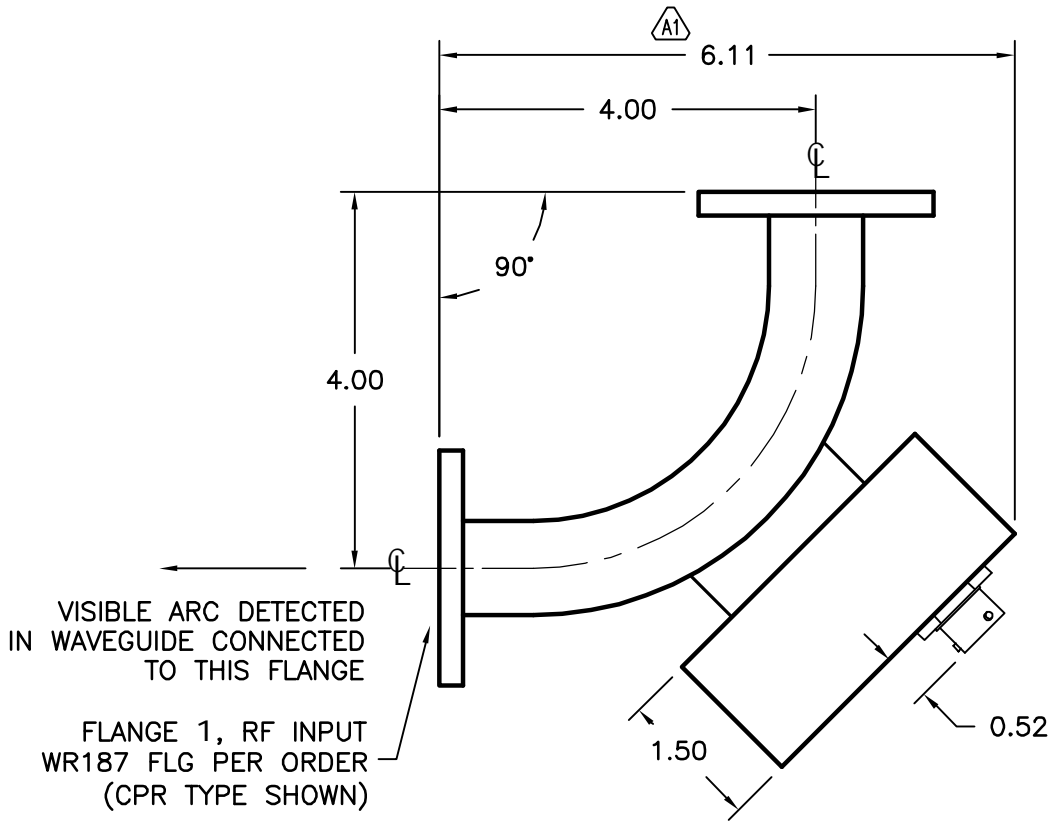


| | | | | |
|--------|----------|---------------|-----------------|----------|
| REV. - | AUTH. RL | DATE 04/06/05 | INITIAL RELEASE | APPROVED |
| REV. A | AUTH. RL | DATE 04/12/05 | (A1) WAS: 6.02 | APPROVED |



| | | | |
|---|-------------------------|--|--|
| MATERIAL PER ORDER | TREATMENT IRIDITE | DRAWN R. LYNCH | DATE 04/06/05 |
| FINISH ATM GREY | MOD. NO. 187-ARCE-X-X-X | CHECKED | DATE |
| OUTLINE, WR187 ARC DETEC. 90° E-BEND | | APPROVED | DATE |
| | | CAGE CODE: OR8N4 | DO NOT SCALE DWG |
| ADVANCED TECHNICAL MATERIALS, INC. 49 RIDER AVE., PATCHOGUE N.Y. 11772 TEL: (631) 289-0363 FAX: (631) 289-0358 http://www.atmmicrowave.com | | UNLESS OTHERWISE NOTED DIMENSIONS ARE IN INCHES TOLERANCES ARE: | FRACTIONS ±1/64 DECIMALS ±.03 ANGLES ±1/2° |
| | | | SHEET. 1/1 SCALE NONE DWG. NO. 3538W REV. A |