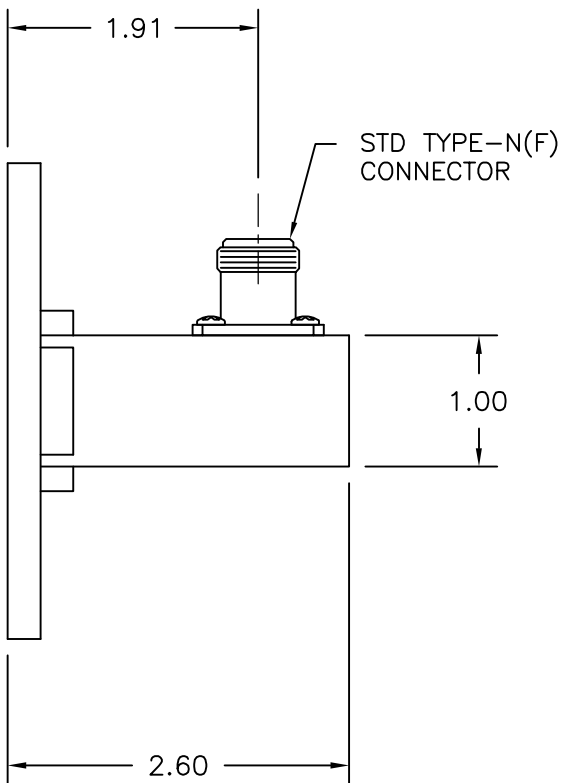
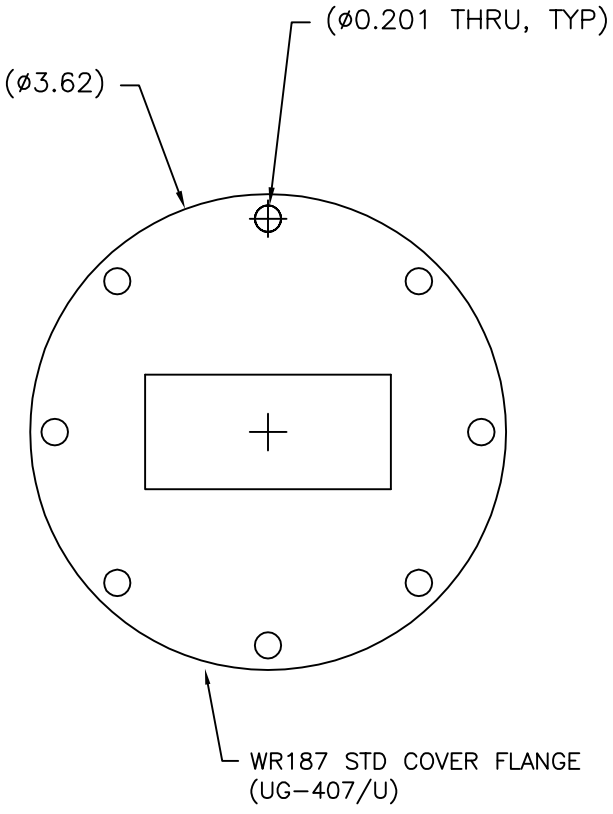
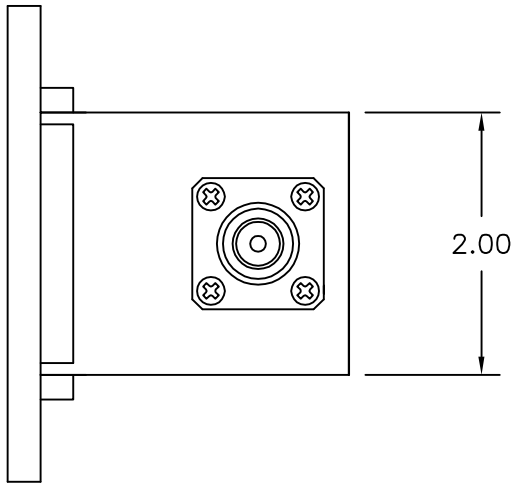


REV A	AUTH DM	DATE 07/26/12	INITIAL RELEASE
B	DM	06/04/13	REMOVED FINISH



THIRD ANGLE PROJECTION:	APPROVALS	DATE	ADVANCED TECHNICAL MATERIALS, INC. TEL: (631) 289-0363 FAX: (631) 289-0358 www.atmmicrowave.com	<small>THE INFORMATION IN THIS DRAWING IS PROPRIETARY AND SHALL NOT BE USED OR DISCLOSED WITHOUT THE PRIOR WRITTEN CONSENT OF ATM, INC. DO NOT SCALE DWG.</small>	
	UNLESS OTHERWISE NOTED, DIMENSIONS ARE IN INCHES, TOLERANCES ARE: FRACTIONS: $\pm 1/64$ ANGLES: $\pm 1/2^\circ$ MACHINED FINISH 63 \checkmark OR BETTER	DRAWN DM 07/26/12			
	MATERIAL ALUMINUM TREATMENT CHEM FILM	CHKD. APRVD.			
	DECIMALS 2 PLACE 3 PLACE $\pm .01$ $\pm .005$	OUTLINE WR187 WG-COAX ADAPTER			
	SIZE A SCALE NONE	CAGE CODE OR8N4 MODEL # 187-253A-6	ATM DWG # 14158	REVISION B SHEET 1/1	