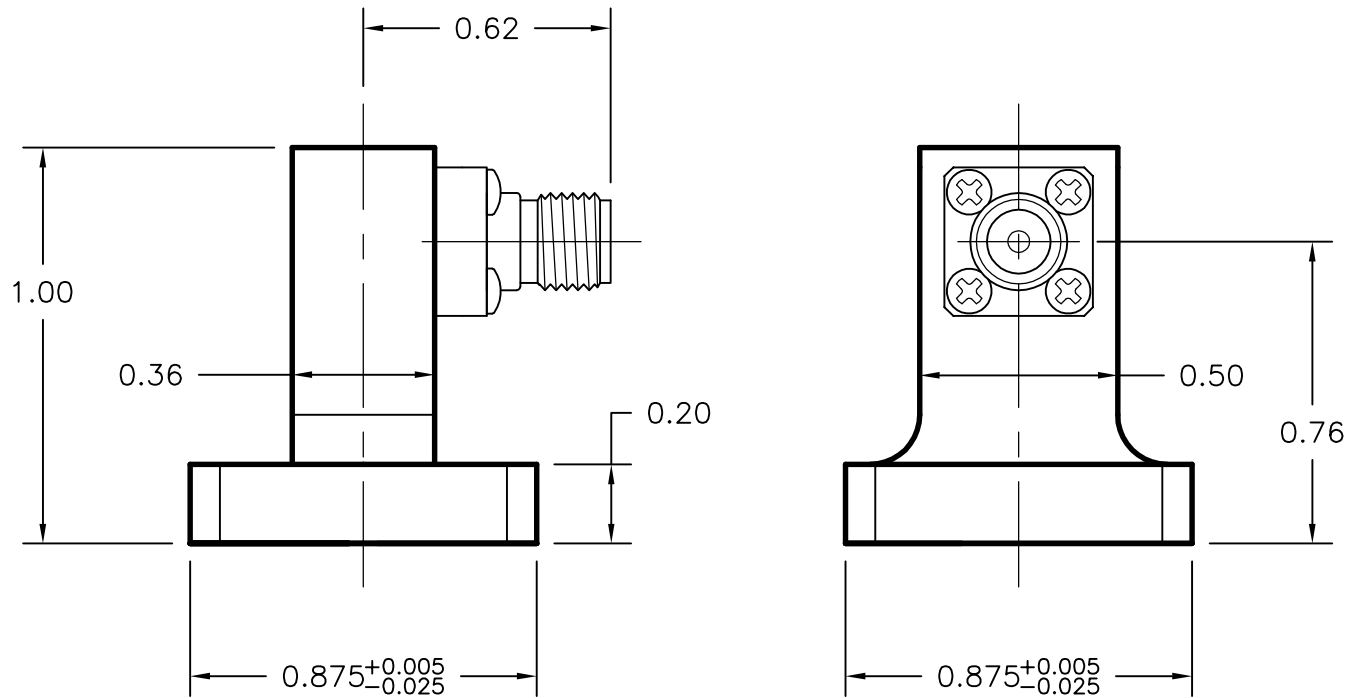


REV. A	AUTH. R.L.	DATE 3/12/04	INITIAL RELEASE	APPROVED
REV. B	AUTH. M.R.	DATE 09/17/13	ADDED DIMS TO FLANGE, BODY	APPROVED


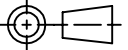


PERFORMANCE SPECIFICATIONS

MODEL NUMBER: 180-25K-(FLANGE TYPE)*
 WG SIZE: WRD180
 FREQ: 18.0 - 40.0 GHz
 CONNECTOR: TYPE-K (F)

EX. MODEL NUMBER: 180-25K-C1

*FLANGE TYPE		
C1	COVER	ALT. THRU/TAPPED
C2	COVER	ALL TAPPED
C3	COVER	ALL THROUGH
G1	GROOVE	ALT. THRU/TAPPED
G2	GROOVE	ALL TAPPED
G3	GROOVE	ALL THROUGH

MATERIAL PER ORDER	TREATMENT _	DRAWN R. LYNCH	DATE 3/12/04	
FINISH ATM STD. GREY	MOD NO. 180-25K-XX	CHECKED	DATE	
<p style="text-align: center;">OUTLINE, WRD180 WG-COAX ADAPTER</p>		APPROVED	DATE	
		CAGE CODE: OR8N4	DO NOT SCALE DWG	
ADVANCED TECHNICAL MATERIALS, INC. 49 RIDER AVE., PATCHOGUE N.Y. 11772 TEL: (631) 289-0363 FAX: (631) 289-0358 http://www.atmmicrowave.com		UNLESS OTHERWISE NOTED DIMENSIONS ARE IN INCHES TOLERANCES ARE:	FRACTIONS DECIMALS ANGLES $\pm 1/64$ $\pm .01$ $\pm 1/2^\circ$ $\pm .005$	SHEET. 1/1
 PROPRIETARY NOTICE: THE INFORMATION IN THIS DRAWING IS PROPRIETARY AND SHALL NOT BE USED OR DISCLOSED WITHOUT THE PRIOR WRITTEN CONSENT OF ATM, INC.		 SCALE 2 : 1	DWG. NO. 3739 REV. B	