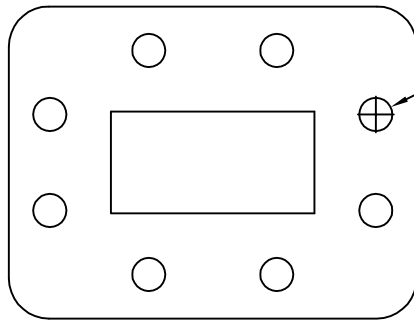
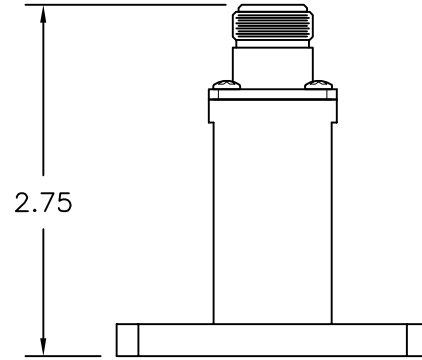
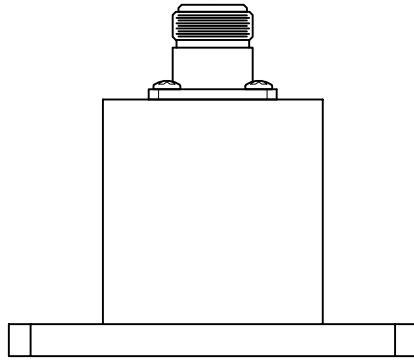


STD TYPE-N(F)  
CONNECTOR



( $\phi$ 0.259 THRU, TYP)

WR159 STD CPRF FLANGE  
(UG-1731/U)

THIRD ANGLE PROJECTION:	APPROVALS	DATE	<b>ADVANCED TECHNICAL MATERIALS, INC.</b> TEL: (631) 289-0363 FAX: (631) 289-0358 www.atmmicrowave.com	<small>THE INFORMATION IN THIS DRAWING IS PROPRIETARY AND SHALL NOT BE USED OR DISCLOSED WITHOUT THE PRIOR WRITTEN CONSENT OF ATM, INC. DO NOT SCALE DWG.</small>
	DRAWN DM	03/04/13		
	CHKD.			
	APRVD.			
UNLESS OTHERWISE NOTED, DIMENSIONS ARE IN INCHES, TOLERANCES ARE:  FRACTIONS: $\pm 1/64$ ANGLES: $\pm 1/2^\circ$  MACHINED FINISH 63 $\checkmark$ OR BETTER	MATERIAL ALUMINUM	OUTLINE WR159 ENDLAUNCH ADAPTER - TYPE-N		
DECIMALS 2 PLACE   3 PLACE	TREATMENT CHEM FILM	SIZE A CAGE CODE OR8N4 SCALE NONE	ATM DWG # 14604 MODEL # 159-203A-2	REVISION A SHEET 1/1
±.01   ±.005				