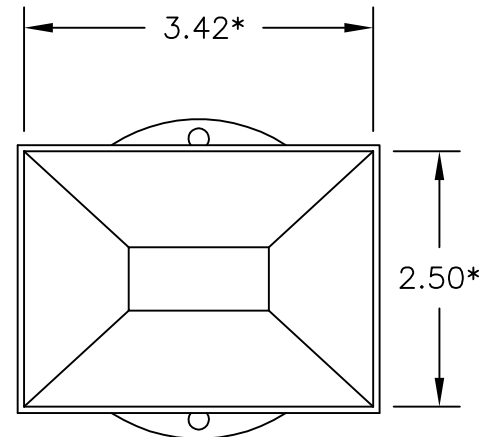
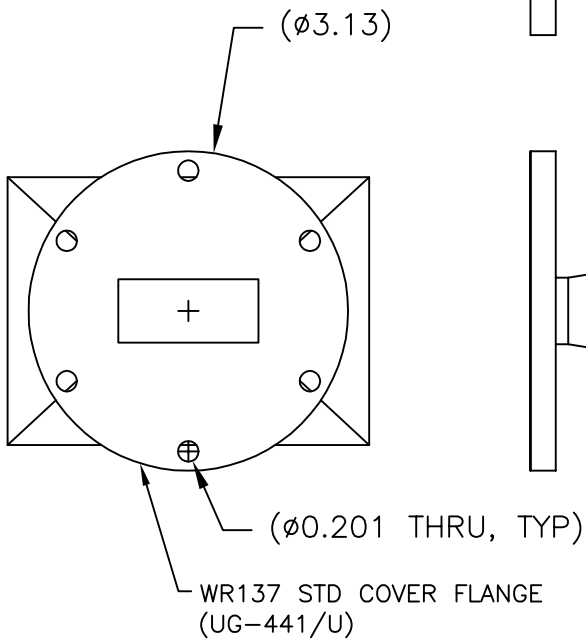
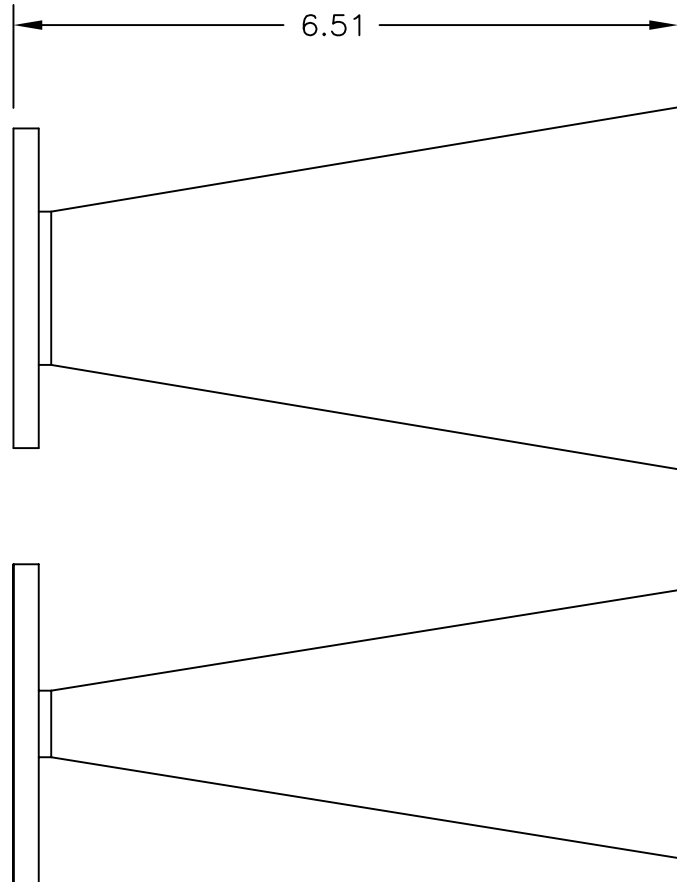


| | | | |
|----------|------------|------------------|--|
| REV A | AUTH DM | DATE 07/11/12 | INITIAL RELEASE |
| B | LM | 7/11/14 | CHANGE TOLERANCE OF 2 PLACE DECIMAL FROM: +/--.01 TO:+/--.03 |
| C | DM | 05/02/17 | UPDATED TITLE BLOCK ; NO DIMENSION CHANGES |



*INSIDE DIMENSION

***NOTE:** THESE DIMENSIONS ARE BASED ON THE FLANGE TYPE SHOWN ABOVE, AND MAY CHANGE WHEN OTHER FLANGE TYPES ARE SELECTED.

| | | | | | | | | |
|--|--|----------------------------|----------|--|--------------------------|---|--|-------------------|
| THIRD ANGLE PROJECTION: | | APPROVALS | DATE | ADVANCED TECHNICAL MATERIALS, INC. TEL: (631) 289-0363 FAX: (631) 289-0358 www.atmmicrowave.com | | <small>THE INFORMATION IN THIS DRAWING IS PROPRIETARY AND SHALL NOT BE USED OR DISCLOSED WITHOUT THE PRIOR WRITTEN CONSENT OF ATM, INC. DO NOT SCALE DWG.</small> | | |
| UNLESS OTHERWISE NOTED, DIMENSIONS ARE IN INCHES. TOLERANCES ARE: FRACTIONS: ±1/64 ANGLES: ±1/2° MACHINED FINISH 63 ✓ OR BETTER | | DRAWN DM | 05/02/17 | <h1>OUTLINE</h1> <h2>WR137 HORN - 15dB</h2> | | | | REVISION C |
| DECIMALS 2 PLACE 3 PLACE | | CHKD. | | | | | | SIZE A |
| ±.03 ±.005 | | APRVD. | | SCALE NONE | MODEL # 137-441-6 | SHEET 1/1 | | |
| | | MATERIAL ALUMINUM | | | | | | |
| | | TREATMENT CHEM FILM | | | | | | |
| | | FINISH | | | | | | |