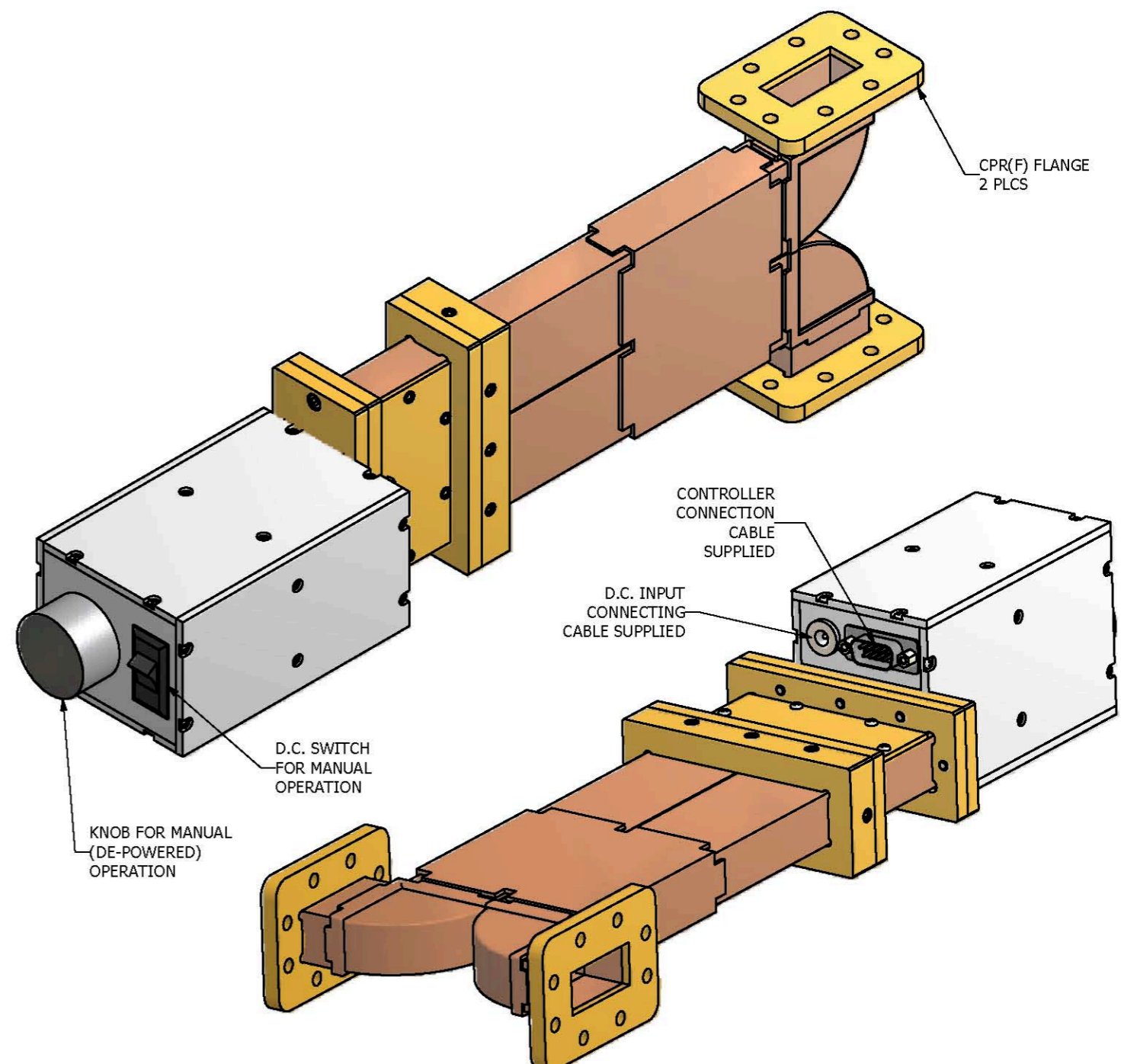
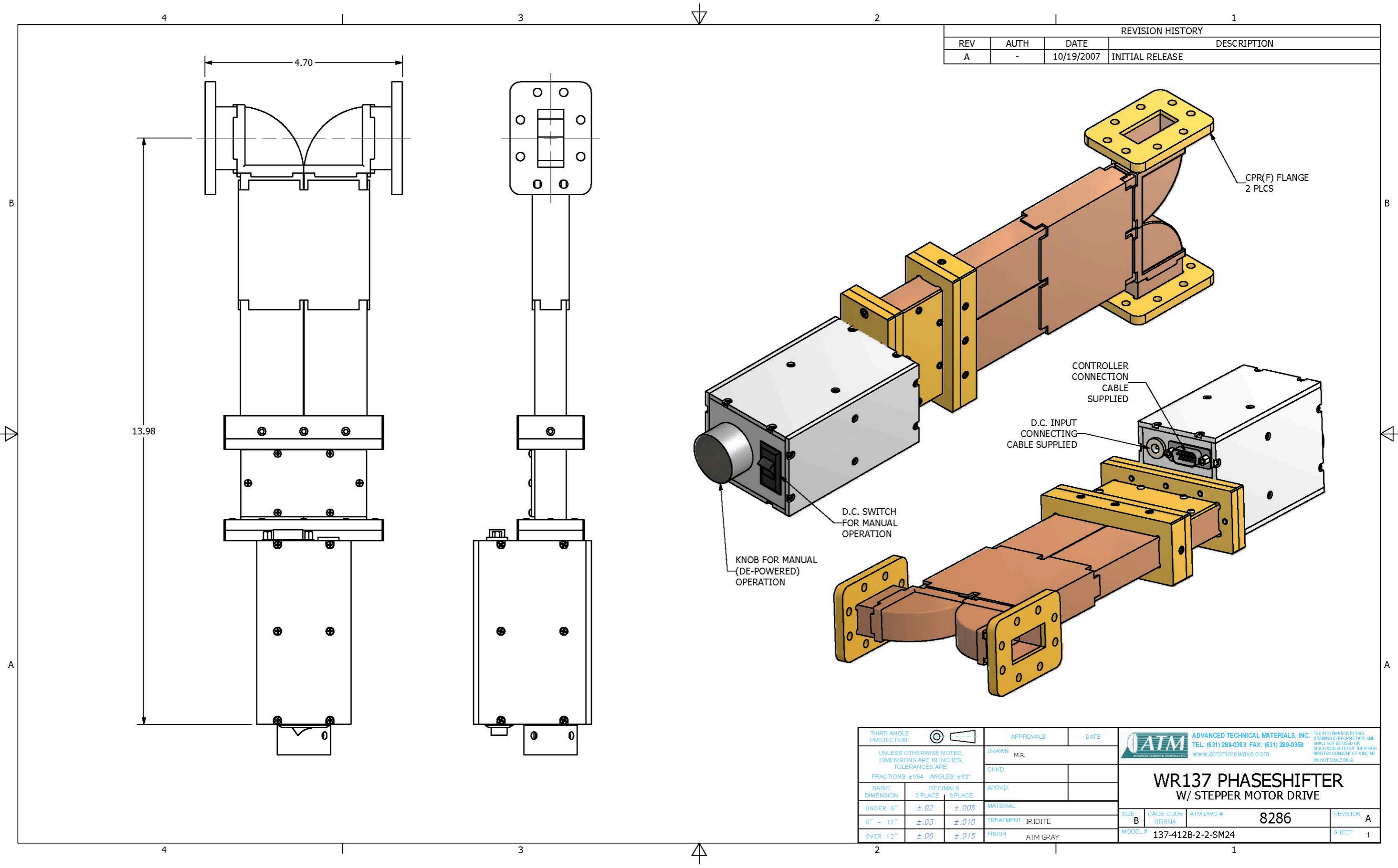


REVISION HISTORY			
REV	AUTH	DATE	DESCRIPTION
A	-	10/19/2007	INITIAL RELEASE



THIRD ANGLE PROJECTION:		APPROVALS	DATE	ADVANCED TECHNICAL MATERIALS, INC. TEL: (631) 289-0363 FAX: (631) 289-0368 www.atmmicrowave.com	<small>THE INFORMATION IN THIS DRAWING IS PROPRIETARY AND SHALL NOT BE USED OR DISCLOSED WITHOUT THE PRIOR WRITTEN CONSENT OF ATM, INC. DO NOT SCALE DWG.</small>
UNLESS OTHERWISE NOTED, DIMENSIONS ARE IN INCHES, TOLERANCES ARE: FRACTIONS: ±1/64 ANGLES: ±1/2°		DRAWN: M.R.			
BASIC DIMENSION	DECIMALS 2 PLACE 3 PLACE	CHKD:		WR137 PHASESHIFTER W/ STEPPER MOTOR DRIVE	
UNDER 6"	±.02 ±.005	APRVD:			
6" - 12"	±.03 ±.010	MATERIAL:			
OVER 12"	±.06 ±.015	TREATMENT IRIDITE			
FINISH ATM GRAY		FINISH		SIZE B CAGE CODE 0R8N4 ATM DWG # 8286 REVISION A MODEL# 137-412B-2-2-SM24 SHEET 1	