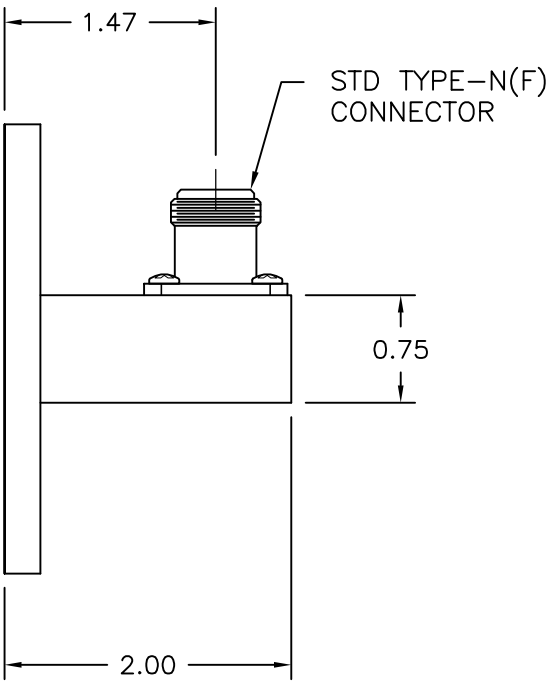
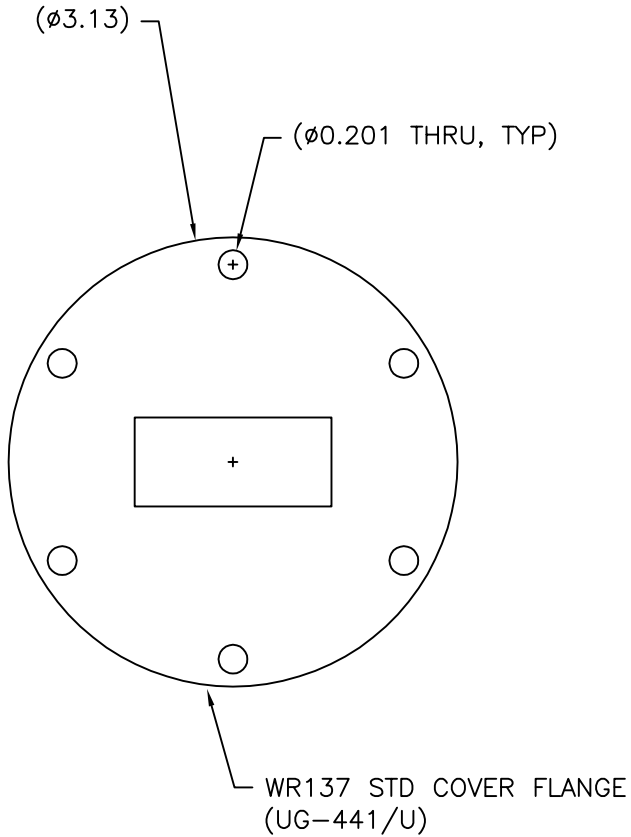
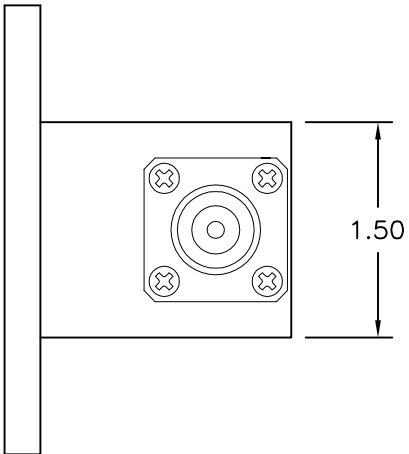


REV A	AUTH DM	DATE 07/26/12	INITIAL RELEASE
B	DM	06/04/13	REMOVED PAINT



THIRD ANGLE PROJECTION:	APPROVALS	DATE	ADVANCED TECHNICAL MATERIALS, INC. TEL: (631) 289-0363 FAX: (631) 289-0358 www.atmmicrowave.com	<small>THE INFORMATION IN THIS DRAWING IS PROPRIETARY AND SHALL NOT BE USED OR DISCLOSED WITHOUT THE PRIOR WRITTEN CONSENT OF ATM, INC. DO NOT SCALE DWG.</small>
	UNLESS OTHERWISE NOTED, DIMENSIONS ARE IN INCHES, TOLERANCES ARE: FRACTIONS: $\pm 1/64$ ANGLES: $\pm 1/2^\circ$ MACHINED FINISH 63 \checkmark OR BETTER	DRAWN DM CHKD. APRVD.		
DECIMALS 2 PLACE 3 PLACE $\pm .01$ $\pm .005$	MATERIAL ALUMINUM TREATMENT CHEM FILM	SIZE A CAGE CODE OR8N4 SCALE NONE	ATM DWG # 14156 MODEL # 137-253A-6	REVISION B SHEET 1/1

OUTLINE
WR137 WG-COAX ADAPTER