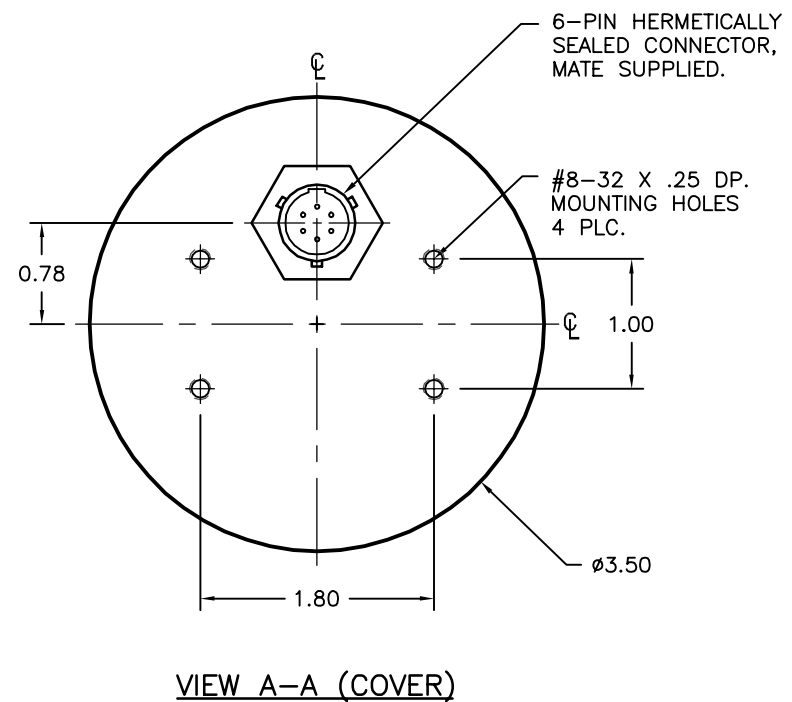
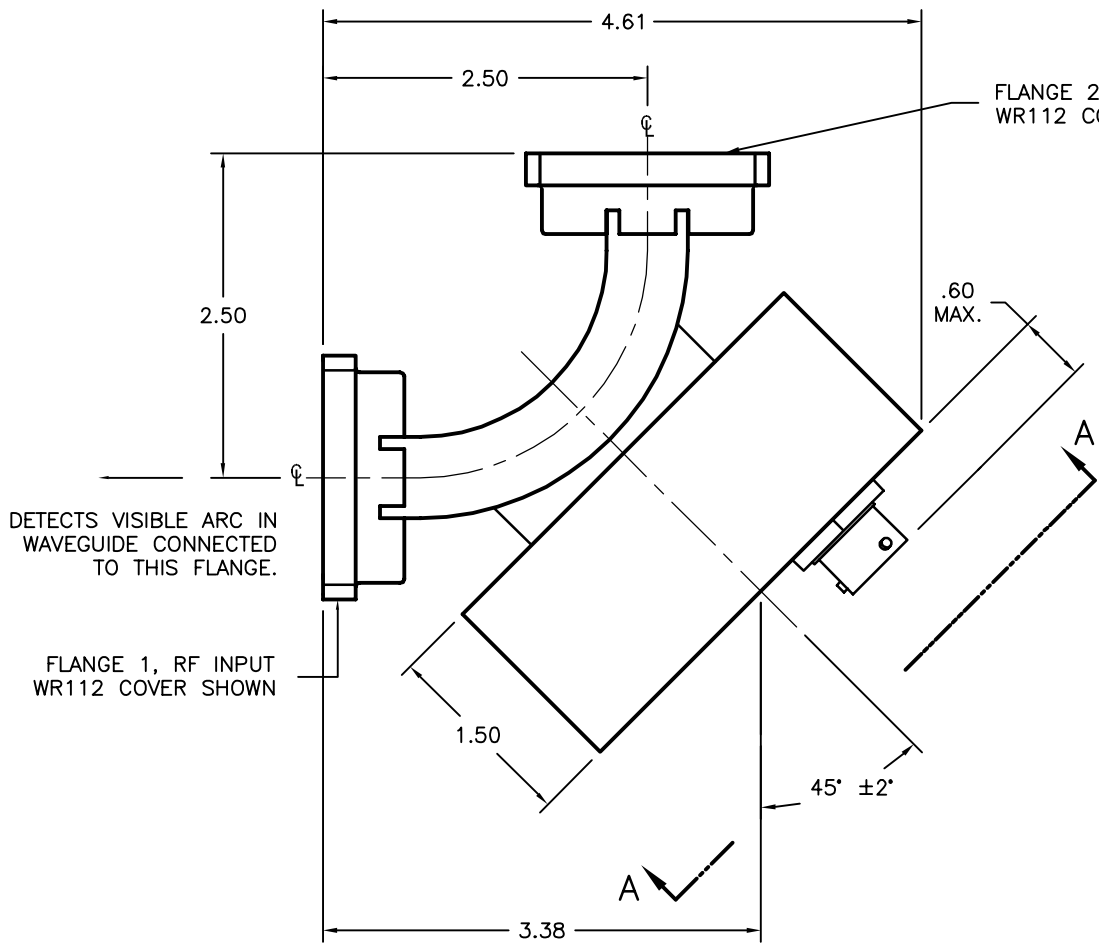


REV A	AUTH RL	DATE 06/07/02	INITIAL RELEASE
REV B	AUTH RL	DATE 01/28/03	REVISED, ADDED NOTES
REV C	AUTH JLE	DATE 08/16/04	FLANGE 1, 2 NOTED, CLARIFIED. ARC DIRECTION NOTE ADDED.
REV D	AUTH RL	DATE 05/16/06	FORMAT UPDATED, MOUNTING HOLE LOCATIONS CORRECTED.



NOTES:

- BEND IS 90° E-PLANE WR112 WAVEGUIDE.

THIRD ANGLE PROJECTION:		APPROVALS	DATE	ADVANCED TECHNICAL MATERIALS, INC. TEL: (631) 289-0363 FAX: (631) 289-0358 www.atmmicrowave.com	<small>THE INFORMATION IN THIS DRAWING IS PROPRIETARY AND SHALL NOT BE USED OR DISCLOSED WITHOUT THE PRIOR WRITTEN CONSENT OF ATM, INC. DO NOT SCALE DWG.</small>	
UNLESS OTHERWISE NOTED, DIMENSIONS ARE IN INCHES. TOLERANCES ARE: FRACTIONS: ±1/64 ANGLES: ±1/2°		DRAWN RL	05/16/06			
BASIC DIMENSION	DECIMALS 2 PLACE 3 PLACE	CHKD.	APRVD.	OUTLINE, WR112 W/G ARC DETECTOR		
UNDER 6"	±.02 ±.005	MATERIAL ALUM.				
6" - 12"	±.03 ±.010	TREATMENT -				
OVER 12"	±.06 ±.015	FINISH ATM GRAY		SIZE A	CAGE CODE OR8N4	
				ATM DWG # 4993W	REVISION D	
				SCALE NONE	MODEL # 112-ARCE-X-6-6	SHEET 1/1