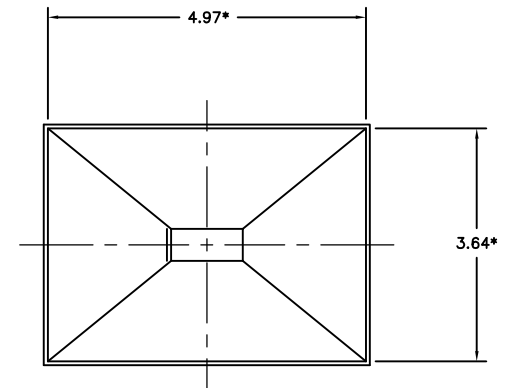
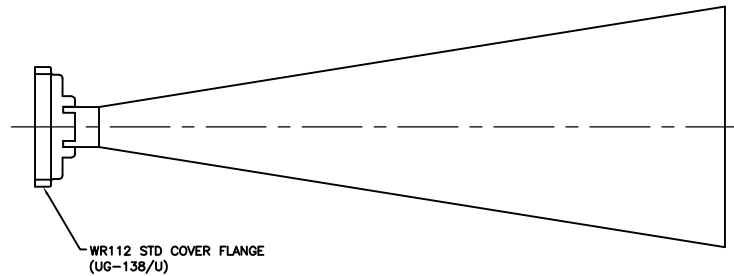
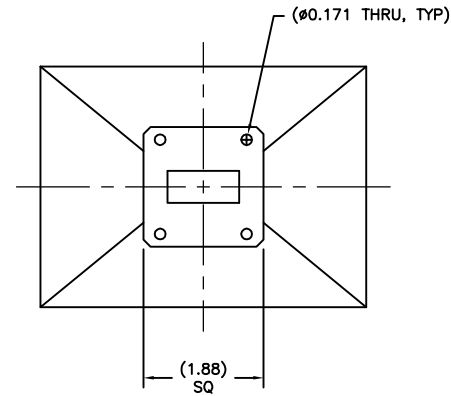
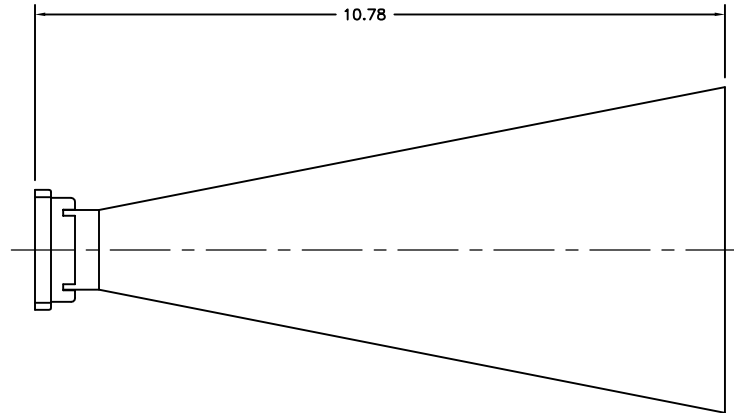


REV A	AUTH D.M.	DATE 07/30/12	INITIAL RELEASE
REV B	AUTH L.M.	DATE 07/11/14	CHANGE TOLERANCE OF 2 PLACE DECIMAL FROM: +/--.01 TO: +/--.03
REV C	AUTH M.R.	DATE 12/06/16	UPDATED FLANGE ILLUSTRATION, NO DIMENSIONAL CHANGES. FORMAT UPDATE
REV D	AUTH DM	DATE 05/04/17	UPDATED TITLE BLOCK



*INSIDE DIMENSION

*NOTE: THESE DIMENSIONS ARE BASED ON THE FLANGE TYPE SHOWN ABOVE, AND MAY CHANGE WHEN OTHER FLANGE TYPES ARE SELECTED.

THIRD ANGLE PROJECTION:		APPROVALS	DATE		L-3 Narda - ATM TEL: (631) 289-0363 FAX: (631) 289-0358 www.atmmicrowave.com		THE INFORMATION IN THIS DRAWING IS PROPRIETARY AND SHALL NOT BE USED OR DISCLOSED WITHOUT THE PRIOR WRITTEN CONSENT OF ATM, INC. DO NOT SCALE DWG.
UNLESS OTHERWISE NOTED, DIMENSIONS ARE IN INCHES, TOLERANCES ARE: FRACTIONS: ±1/64 ANGLES: ±1/2° MACHINED FINISH 63 ✓ OR BETTER		DRAWN DM	05/02/17		OUTLINE WR112 HORN, 20dB GAIN		
DECIMALS 2 PLACE 3 PLACE		CHKD.		SIZE A	CAGE CODE OR8N4	ATM DWG # 13978	REVISION D
±.03	±.005	APRVD.		SCALE NONE	MODEL # 112-442-6		SHEET 1/1
		MATERIAL ALUMINUM					
		TREATMENT -					
		FINISH CHEM FILM					