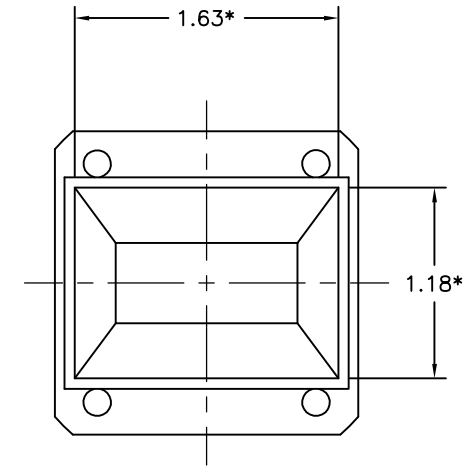
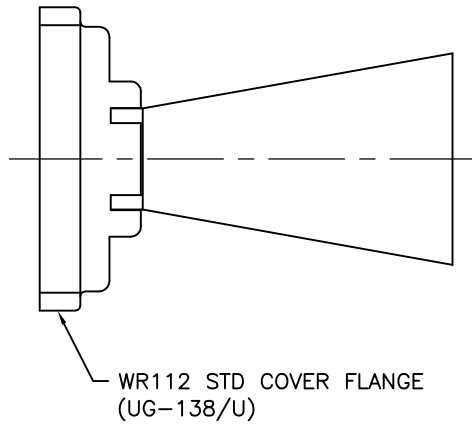
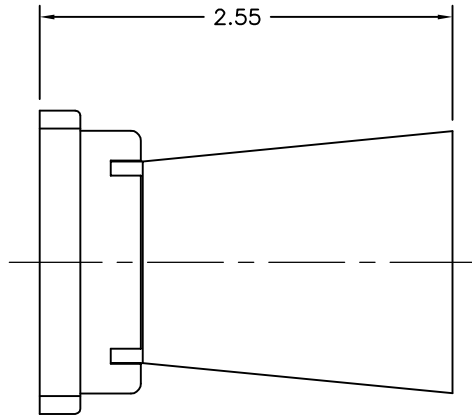
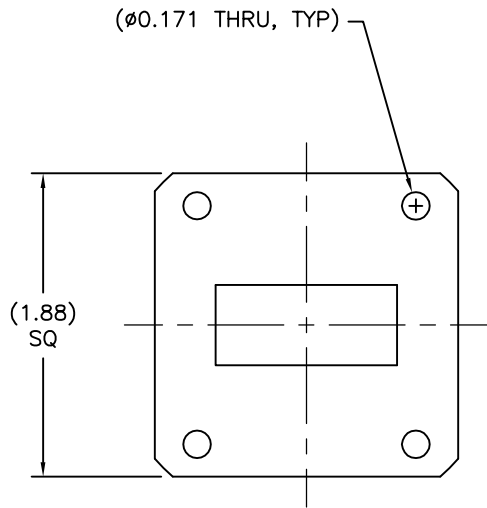


REV A	AUTH D.M.	DATE 07/03/12	INITIAL RELEASE
REV B	AUTH L.M.	DATE 07/11/14	CHANGE TOLERANCE OF 2 PLACE DECIMAL FROM: +/- .01 TO: +/- .03
REV C	AUTH M.R.	DATE 12/06/16	UPDATED FLANGE ILLUSTRATION, NO DIMENSIONAL CHANGES. FORMAT UPDATE.



*INSIDE DIMENSION

***NOTE:** THESE DIMENSIONS ARE BASED ON THE FLANGE TYPE SHOWN ABOVE, AND MAY CHANGE WHEN OTHER FLANGE TYPES ARE SELECTED.

THIRD ANGLE PROJECTION:		APPROVALS		DATE	 L-3 Narda - ATM TEL: (631) 289-0363 FAX: (631) 289-0358 www.atmmicrowave.com	THE INFORMATION IN THIS DRAWING IS PROPRIETARY AND SHALL NOT BE USED OR DISCLOSED WITHOUT THE PRIOR WRITTEN CONSENT OF ATM, INC. DO NOT SCALE DWG.	
UNLESS OTHERWISE NOTED, DIMENSIONS ARE IN INCHES, TOLERANCES ARE: FRACTIONS: ±1/64 ANGLES: ±1/2° MACHINED FINISH 63 ✓ OR BETTER		DRAWN D.M.	07/03/12				
		CHKD.			OUTLINE WR112 HORN - 10dB		
		APRVD.					
		MATERIAL ALUM ALLOY		SIZE A	CAGE CODE OR8N4	ATM DWG # 13976	REVISION C
		TREATMENT CHEM FILM		SCALE NONE	MODEL # 112-440-6	SHEET 1/1	
		FINISH					
DECIMALS							
2 PLACE	3 PLACE						
±.03	±.005						