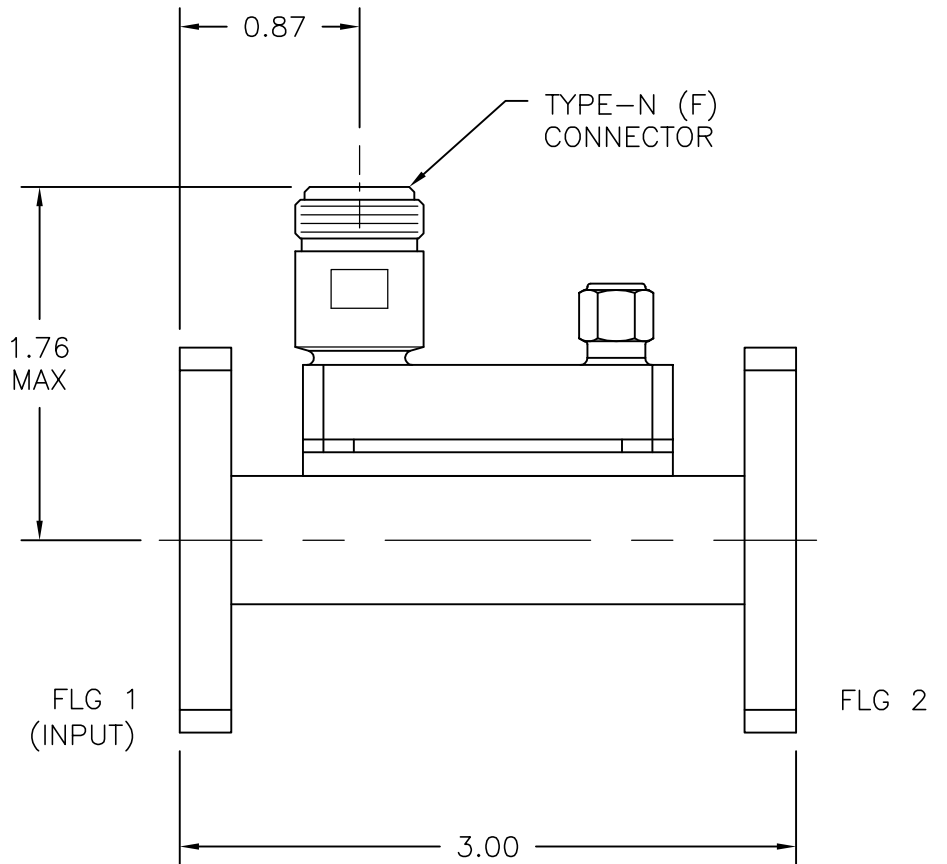


WR112 STD COVER FLANGE
(UG-138/U)
2 PL

($\phi 0.171$ THRU, TYP)



THIRD ANGLE PROJECTION:		APPROVALS	DATE	ADVANCED TECHNICAL MATERIALS, INC. TEL: (631) 289-0363 FAX: (631) 289-0358 www.atmmicrowave.com		<small>THE INFORMATION IN THIS DRAWING IS PROPRIETARY AND SHALL NOT BE USED OR DISCLOSED WITHOUT THE PRIOR WRITTEN CONSENT OF ATM, INC. DO NOT SCALE DWG.</small>	
UNLESS OTHERWISE NOTED, DIMENSIONS ARE IN INCHES, TOLERANCES ARE: FRACTIONS: $\pm 1/64$ ANGLES: $\pm 1/2^\circ$ MACHINED FINISH 63 \sqrt OR BETTER		DRAWN M.R.	01/19/16			<h2 style="text-align: center;">OUTLINE</h2> <h3 style="text-align: center;">WR112 LOOP COUPLER - TYPE-N</h3>	
DECIMALS 2 PLACE 3 PLACE		CHKD.		CAGE CODE OR8N4	ATM DWG # 17347		
± 0.01 ± 0.005		APRVD.		MODEL # 112-308A-XX-6-6			SHEET 1/1
		MATERIAL ALUMINUM					
		TREATMENT CHEM FILM					