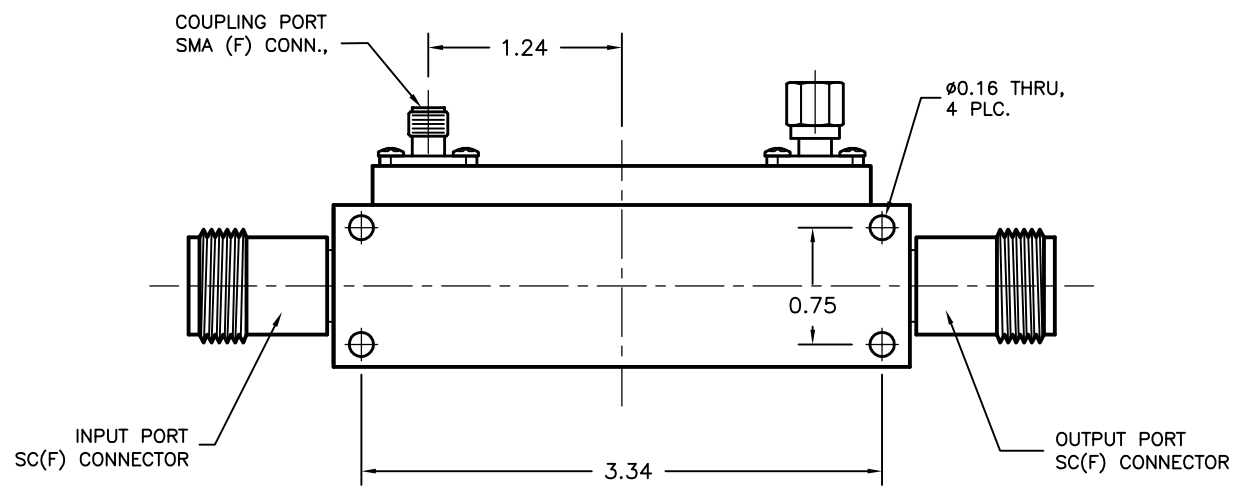
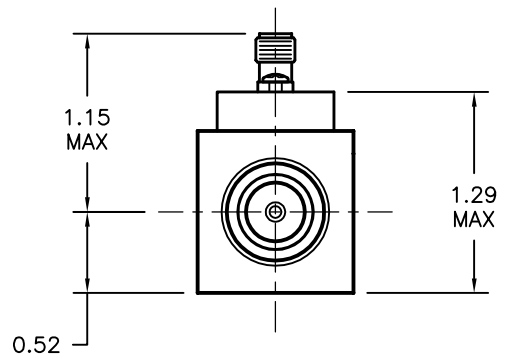
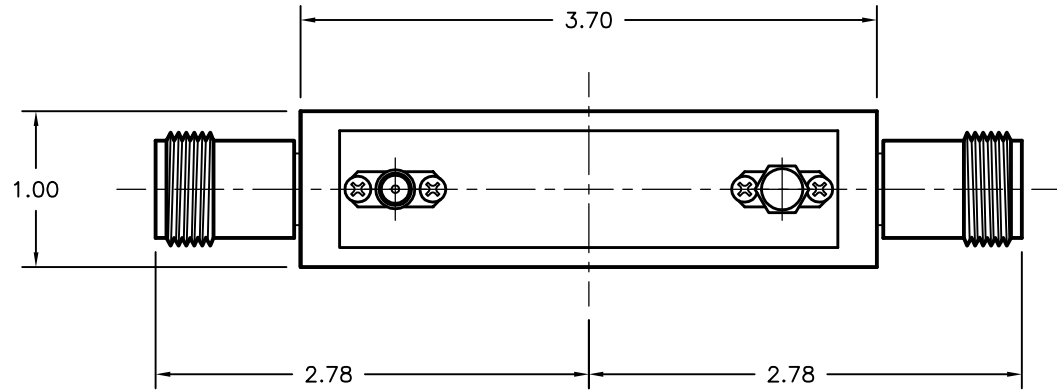


REV A	AUTH L.M.	DATE 01/17/14	INITIAL RELEASE
REV B	AUTH M.R.	DATE 06/19/14	ADDED APPLICATION TABLE, ADDED "MAX" TO HEIGHT DIMENSIONS



APPLICATIONS:	
FREQ. RANGE GHz	MODEL NUMBER
0.86-1.70	CHPsc23L-XX
1.0-2.0	CHPsc23-XX
2.0-4.0	CHPsc24-XX
1.0-4.0	CHPsc23E-XX
0.8-4.2	CHPsc22L-XX

THIRD ANGLE PROJECTION:	APPROVALS	DATE	<b>ADVANCED TECHNICAL MATERIALS, INC.</b> TEL: (631) 289-0363 FAX: (631) 289-0358 www.atmmicrowave.com		<small>THE INFORMATION IN THIS DRAWING IS PROPRIETARY AND SHALL NOT BE USED OR DISCLOSED WITHOUT THE PRIOR WRITTEN CONSENT OF ATM, INC. DO NOT SCALE DWG.</small>	
	UNLESS OTHERWISE NOTED, DIMENSIONS ARE IN INCHES, TOLERANCES ARE:	DRAWN LM				01/17/14
	FRACTIONS: ±1/64 ANGLES: ±1/2°	CHKD.		<b>OULTINE</b> AIRLINE COUPLER, SC(F) CONNECTORS		
	MACHINED FINISH 63 ✓ OR BETTER	APRVD.				
DECIMALS 2 PLACE 3 PLACE	MATERIAL ALUM BODY		SIZE A	CAGE CODE OR8N4	ATM DWG # 15681W	REVISION B
±.01 ±.005	TREATMENT CHEM FILM		SCALE 1 : 1	MODEL # SEE TABLE		SHEET 1/1