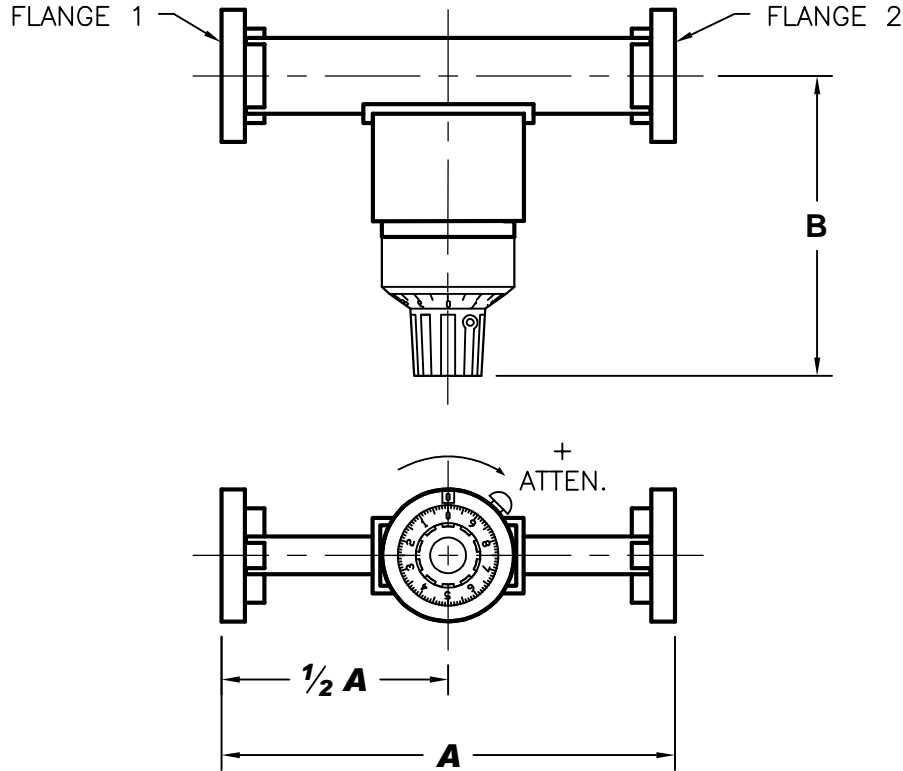


A	RL	6/20/02	INITIAL RELEASE
REV B	AUTH -	DATE 7/6/04	OUTLINE REVISED.
REV C	AUTH -	DATE 4/3/08	TABULATED DIM 'B' ADDED.
REV D	AUTH MR	DATE 4/3/08	DIM 'B' ADDED (WR51)
REV E	AUTH RL	DATE 4/6/18	TITLE BLOCK UPDATED, WR28 MOVED TO DRW # 19702



MODEL SPECIFICATIONS

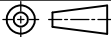

VSWR: 1.15 MAX.
 INSERTION LOSS: 0.5 dB MAX.
 ATTEN. RANGE: 0-30 dB MIN.

MODEL NO.= WG SIZE-620-MAT'L(A/B)*-FLG. 1-FLG. 2
 EXAMPLE: 28-620A-6-6

*A=ALUMINUM
 *B=COPPER/BRASS

FLANGE TYPE	
1	= CPRG
2	= CPRF
3	= CMR STANDARD
4	= CMR CLEAR
5	= CMR TAP
6	= UG COVER
7	= UG CHÖKE
8	= SPEC
9	= PDR
10	= UDR

WG SIZE	FREQUENCY (GHz)	DIM. A	DIM. B	POWER (W)
WR284	2.60-3.95	10.0	4.5	11
WR229	3.30-4.90	9.0	3.9	9
WR187	3.95-5.85	8.5	3.5	7
WR159	4.90-7.05	8.0	3.2	5
WR137	5.95-8.20	6.0	3.1	4
WR112	7.05-10.0	5.0	2.8	3
WR90	8.20-12.4	4.0	2.5	2
WR75	10.0-15.0	3.50	3.32	1
WR62	12.4-18.0	3.00	2.24	1
WR51	15.0-22.0	3.00	2.23	1
WR42	18.0-26.5	3.00	1.97	1
WR34	22.0-33.0	3.00	1.97	1

THIRD ANGLE PROJECTION:  UNLESS OTHERWISE NOTED, DIMENSIONS ARE IN INCHES, TOLERANCES ARE: FRACTIONS: ±1/64 ANGLES: ±1/2° MACHINED FINISH 63 ✓ OR BETTER	APPROVALS DRAWN RL CHKD. APRVD.	DATE 6/20/02	 L-3 Narda - ATM TEL: (631) 289-0363 FAX: (631) 289-0358 www.atmmicrowave.com	THE INFORMATION IN THIS DRAWING IS PROPRIETARY AND SHALL NOT BE USED OR DISCLOSED WITHOUT THE PRIOR WRITTEN CONSENT OF L-3 NARDA-ATM, INC. DO NOT SCALE DWG.			
	MATERIAL - TREATMENT - FINISH STD. GREY				OUTLINE, W/G CONTINUOUSLY VARIABLE ATTENUATOR (CVA)		
	DECIMALS 2 PLACE 3 PLACE ±.01 ±.005	SIZE A SCALE			CAGE CODE OR8N4 NONE	ATM DWG # 5028 MODEL # XX-620-X-X	REVISION E SHEET 1/1