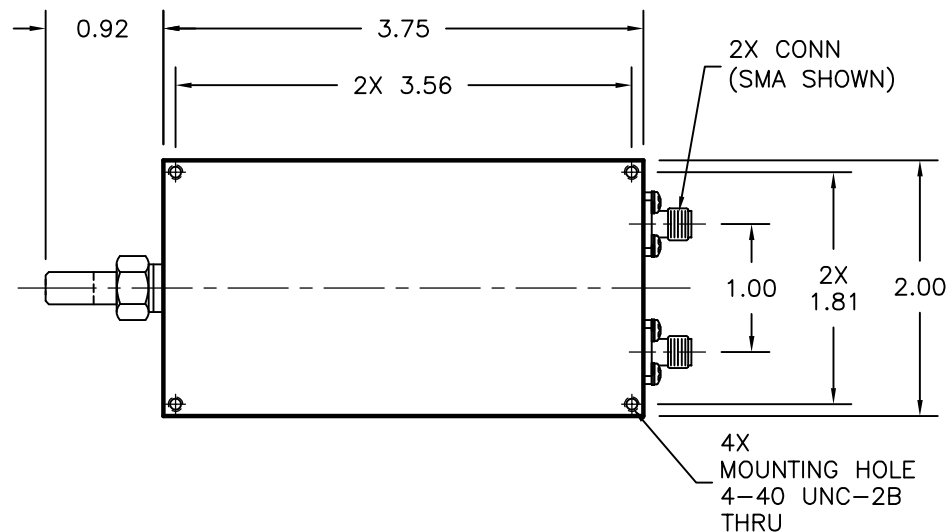
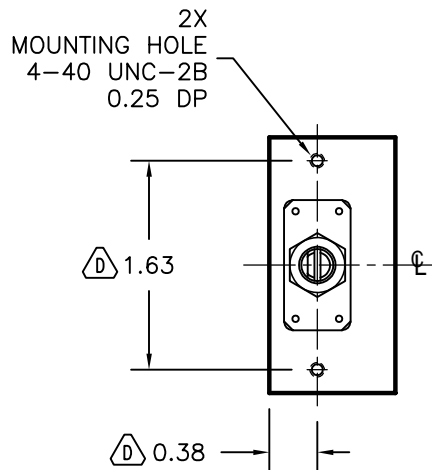


REV A	AUTH RL	DATE 07/12/01	INITIAL RELEASE
REV B	AUTH RL	DATE 03/02/07	NOTES, TITLE BLOCK UPDATED
REV C	AUTH M.R.	DATE 11/14/11	FORMAT UPDATED, LOCK NUT ADDED, NOTE UPDATED
REV D	AUTH BF	DATE 4-5-12	1.63 WAS 1.62, .38 WAS .36, .63 WAS .61
REV E	AUTH RL	DATE 6-3-19	FORMAT UPDATE, CHANGES PER ECN 5-31-19-01



Ø0.25 SLOTTED
PHASE-ADJUSTMENT
SCREW WITH LOCK NUT



MODEL (SMA)	MODEL (TYPE-N)	FREQ. (GHz)	MIN. PHASE ADJUST
P1403	P2403	DC-2.3	0-30°/GHz
P1404	P2404	DC-4.3	0-30°/GHz
P1405	P2405	DC-8.2	0-30°/GHz
P1406	P2406	DC-12.7	0-30°/GHz
P1407	P2407	DC-18.6	0-30°/GHz
P1408	NA	DC-26.5	0-30°/GHz
P1408-360	NA	18.0-26.5	0°-360°
*P1409-360	NA	18.0-40.0	0°-360°

NOTES:

- ALL MODELS HAVE AN RF POWER RATING OF 100W AVERAGE & 3 KW PEAK
- ALL MODELS HAVE KNOB AND LOCK NUT.
- *P1409-360 IS SUPPLIED WITH 2.92mm CONNECTORS ONLY.

THIRD ANGLE PROJECTION:	APPROVALS	DATE			L-3 Narda - ATM TEL: (631) 289-0363 FAX: (631) 289-0358 www.atmmicrowave.com	<small>THE INFORMATION IN THIS DRAWING IS PROPRIETARY AND SHALL NOT BE USED OR DISCLOSED WITHOUT THE PRIOR WRITTEN CONSENT OF ATM, INC. DO NOT SCALE DWG.</small>
UNLESS OTHERWISE NOTED, DIMENSIONS ARE IN INCHES, TOLERANCES ARE:	DRAWN RL	7/12/01	<h2 style="text-align: center;">30°/GHz PHASESHIFTER STANDARD MODEL</h2>			
FRACTIONS: ±1/64 ANGLES: ±1/2°	CHKD.					
MACHINED FINISH 63 ✓ OR BETTER	APRVD.					
DECIMALS 2 PLACE 3 PLACE	MATERIAL -		SIZE A	CAGE CODE OR8N4	ATM DWG #	REVISION
±.01 ±.005	TREATMENT -		SCALE	1 : 1	4430W	E
	FINISH -		MODEL #			SHEET
						1/1