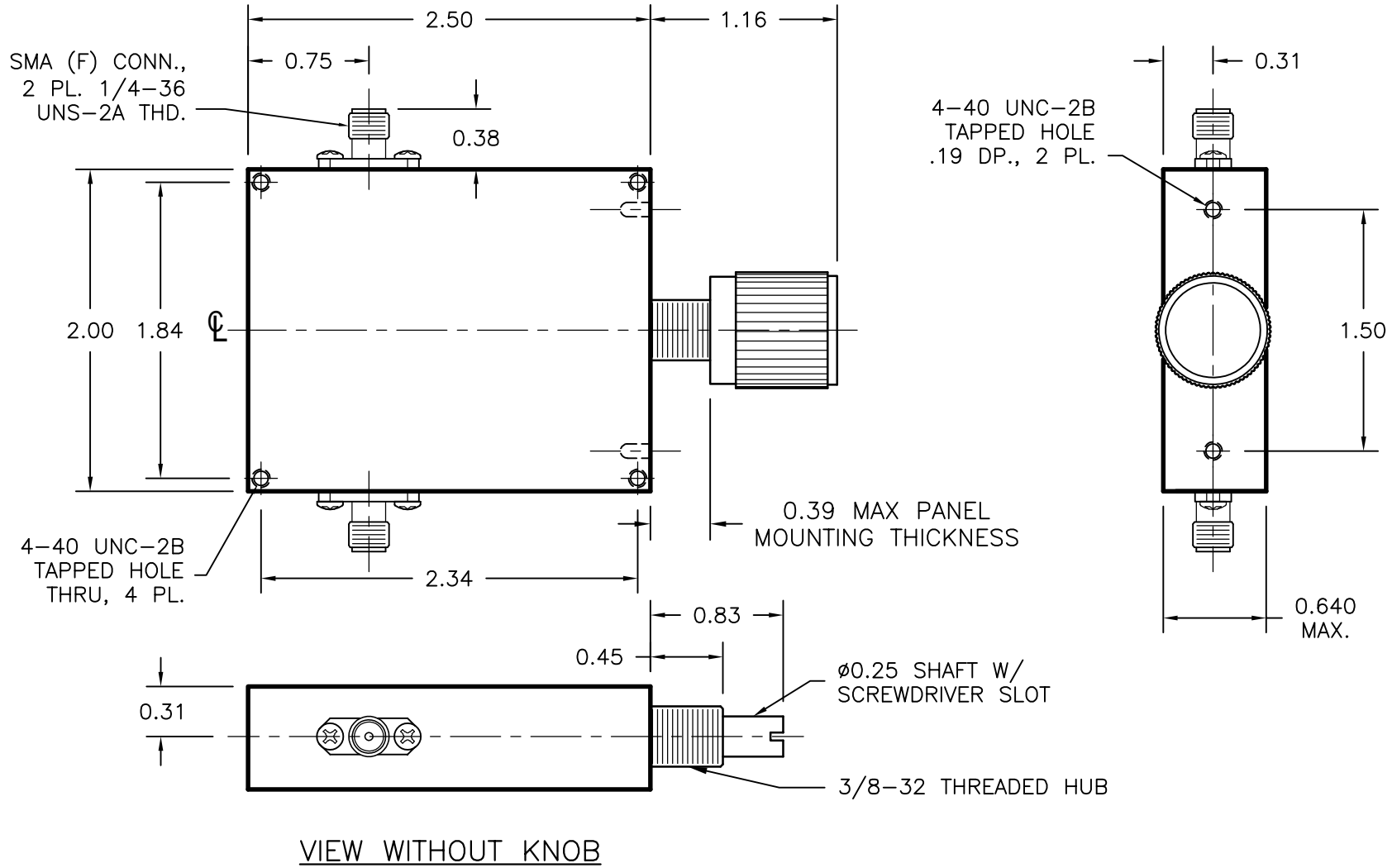


REV A	AUTH RTK	DATE 4/5/01	INITIAL RELEASE
REV -	AUTH -	DATE -	DWG# REDESIGNATED FROM: 4218 TO: 2850W.
REV C	AUTH RL	DATE 6/20/17	TITLE BLOCK UPDATE



THIRD ANGLE PROJECTION:		APPROVALS	DATE			L-3 Narda - ATM TEL: (631) 289-0363 FAX: (631) 289-0358 www.atmmicrowave.com		<small>THE INFORMATION IN THIS DRAWING IS PROPRIETARY AND SHALL NOT BE USED OR DISCLOSED WITHOUT THE PRIOR WRITTEN CONSENT OF ATM, INC. DO NOT SCALE DWG.</small>	
UNLESS OTHERWISE NOTED, DIMENSIONS ARE IN INCHES. TOLERANCES ARE: FRACTIONS: ±1/64 ANGLES: ±1/2° MACHINED FINISH 63 ✓ OR BETTER		DRAWN RTK	04/05/01	OUTLINE, AV/AF98 SMA ATTENUATOR, KNOB OPTION		SIZE A CAGE CODE OR8N4 ATM DWG # 2850W REVISION C		SCALE 1 : 1 MODEL # AV/AF98X-XX SHEET 1/1	
		CHKD.							
		APRVD.							
DECIMALS 2 PLACE 3 PLACE ±.01 ±.005		MATERIAL -							
		TREATMENT -							
		FINISH STD GREY							