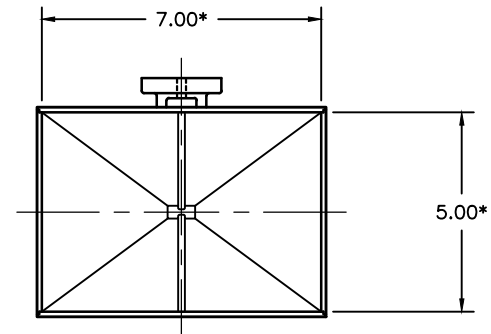
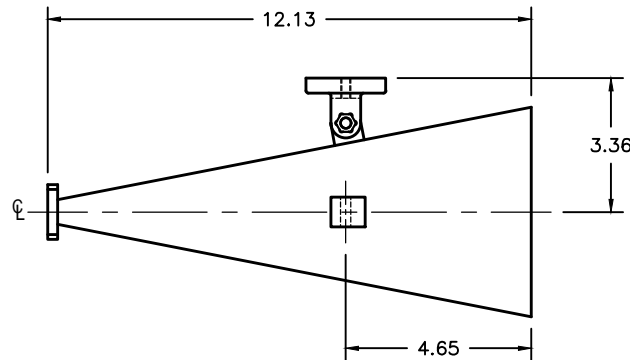
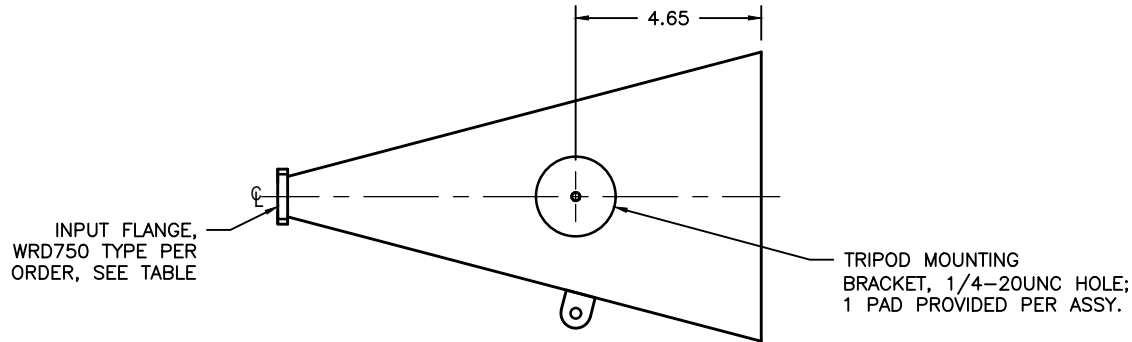


REV A	AUTH R.L.	DATE 03/20/06	INITIAL RELEASE
REV B	AUTH R.L.	DATE 11/16/06	UPDATED TO SHOW TRIPOD MOUNTING, MODEL NUMBER CORRECTED.
REV C	AUTH M.R.	DATE 12/06/16	UPDATED FLANGE ILLUSTRATION, NO DIMENSIONAL CHANGES. FORMAT UPDATE
REV D	AUTH M.R.	DATE 03/18/19	ADDED DIMENSION TO MOUNT BASE



\*INSIDE DIMENSION

*DOUBLE RIDGE FLANGE TYPES		
DESIGNATION	TYPE	HOLE PATTERN
C1	COVER	ALL THRU/TAPPED
C2	COVER	ALL TAPPED
C3	COVER	ALL THROUGH
G1	GROOVE	ALL THRU/TAPPED
G2	GROOVE	ALL TAPPED
G3	GROOVE	ALL THROUGH

**MODEL SPECIFICATIONS**

**MECHANICAL**

MODEL NUMBER: 750-442-XX\*  
 MATERIAL: 6061/T-6 ALUM.  
 FINISH: UNIQUE 316 STAINLESS STEEL  
 EPOXY COATING  
 FLANGES: WRD750 PER ORDER, \*SEE TABLE

**ELECTRICAL**

FREQ. RANGE: 7.5-18.0 GHz  
 GAIN: 20dB  
 VSWR: 1.85

THIRD ANGLE PROJECTION:	APPROVALS	DATE		L-3 Narda - ATM		THE INFORMATION IN THIS DRAWING IS PROPRIETARY AND SHALL NOT BE USED OR DISCLOSED WITHOUT THE PRIOR WRITTEN CONSENT OF ATM, INC. DO NOT SCALE DWG.
	DRAWN R.L.	03/20/16		TEL: (631) 289-0363 FAX: (631) 289-0358		
UNLESS OTHERWISE NOTED, DIMENSIONS ARE IN INCHES, TOLERANCES ARE: FRACTIONS: ±1/64 ANGLES: ±1/2° MACHINED FINISH 63 ✓ OR BETTER	CHKD.		<b>OUTLINE</b> WRD750 HORN ANTENNA			
	APRVD.					
DECIMALS 2 PLACE 3 PLACE	MATERIAL ALUMINUM		SIZE A	CAGE CODE OR8N4	ATM DWG # 6678W	REVISION D
±.03 ±.005	TREATMENT -		SCALE NONE	MODEL # 750-442-XX		SHEET 1/1