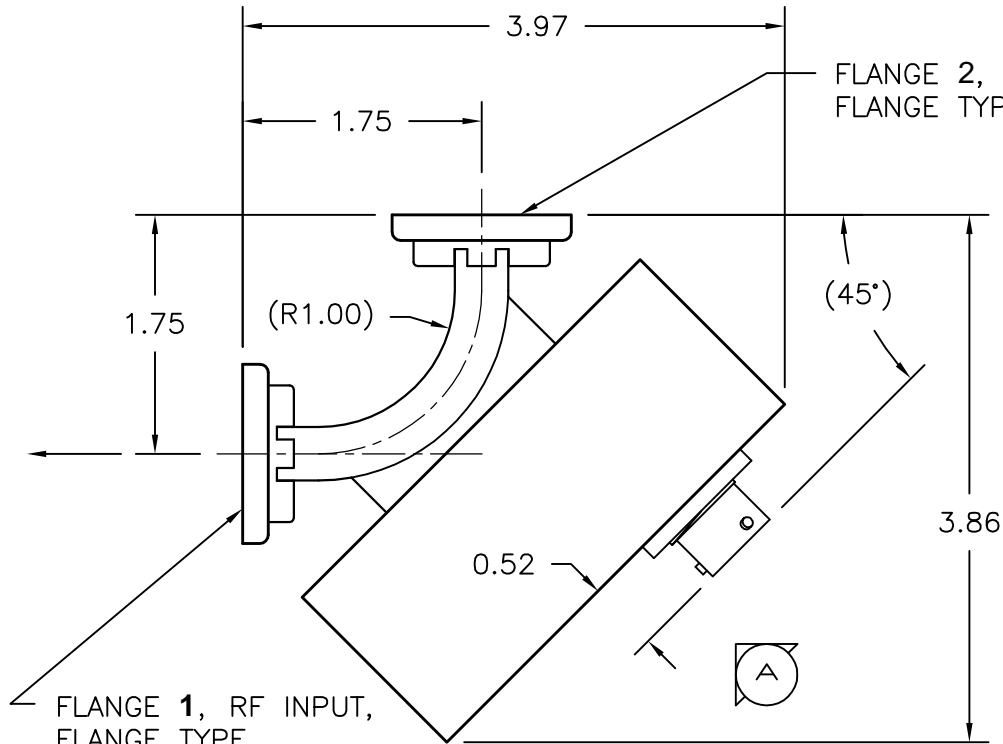
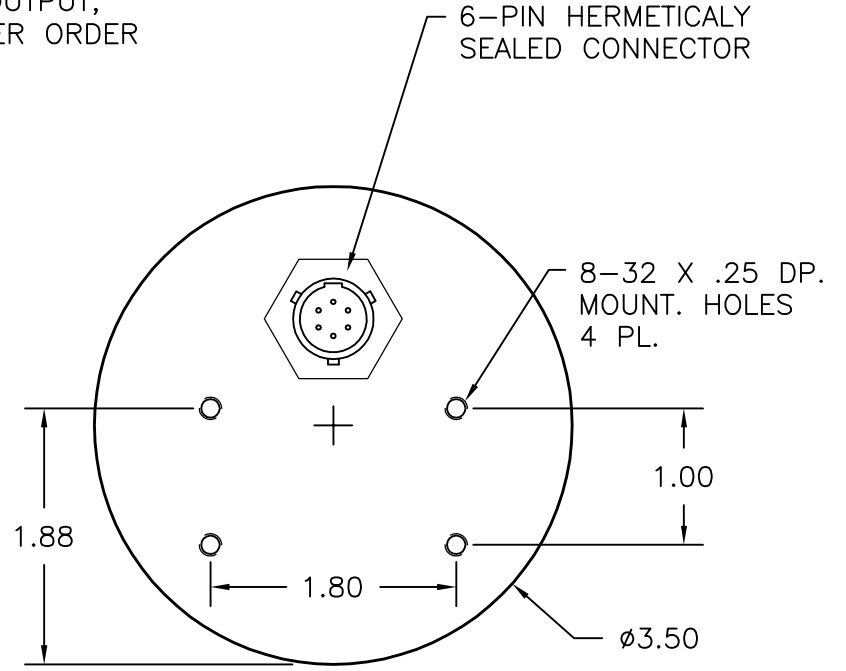


REV A	AUTH M.R.	DATE 08/25/17	INITIAL RELEASE
----------	--------------	------------------	-----------------



FLANGE 1, RF INPUT,
FLANGE TYPE
PER ORDER, VISIBLE
ARC DETECTED IN
WAVEGUIDE CONNECTED
TO THIS FLANGE

FLANGE 2, RF OUTPUT,
FLANGE TYPE PER ORDER



A COVER TOP VIEW

THIRD ANGLE PROJECTION:		APPROVALS	DATE		L-3 Narda - ATM TEL: (631) 289-0363 FAX: (631) 289-0358 www.atmmicrowave.com		THE INFORMATION IN THIS DRAWING IS PROPRIETARY AND SHALL NOT BE USED OR DISCLOSED WITHOUT THE PRIOR WRITTEN CONSENT OF L3 NARDA-ATM, INC. DO NOT SCALE DWG.
UNLESS OTHERWISE NOTED, DIMENSIONS ARE IN INCHES, TOLERANCES ARE: FRACTIONS: ±1/64 ANGLES: ±1/2° MACHINED FINISH 63 ✓ OR BETTER		DRAWN M.R.	08/25/17		OUTLINE WR62 E-BEND, ARC DETECTOR		
DECIMALS 2 PLACE 3 PLACE		CHKD.		SIZE A	CAGE CODE OR8N4	ATM DWG # 18868	REVISION A
±.01	±.005	APRVD.		SCALE 1 : 1	MODEL # 62-ARCE-A-6-6		SHEET 1/1
		MATERIAL ALUM BODY					
		TREATMENT CHEM FILM					
		ATM STD GRAY					