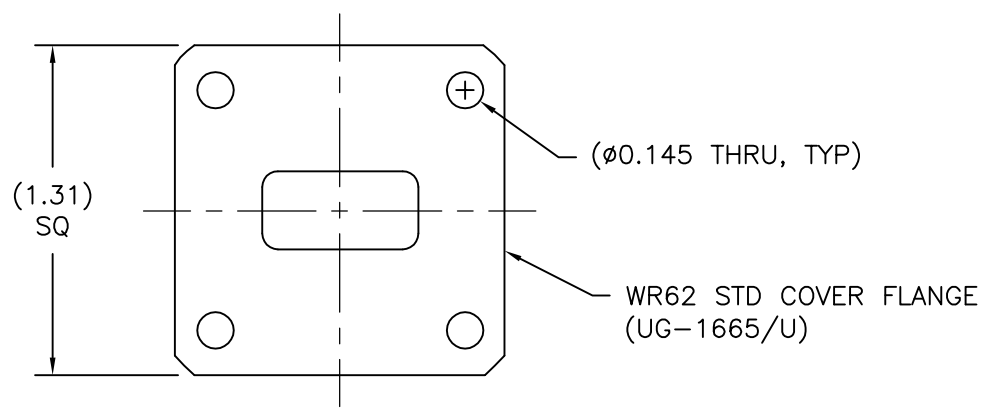
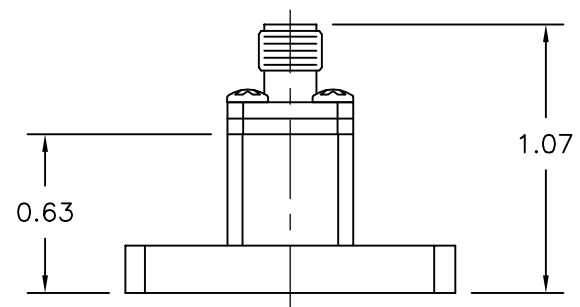
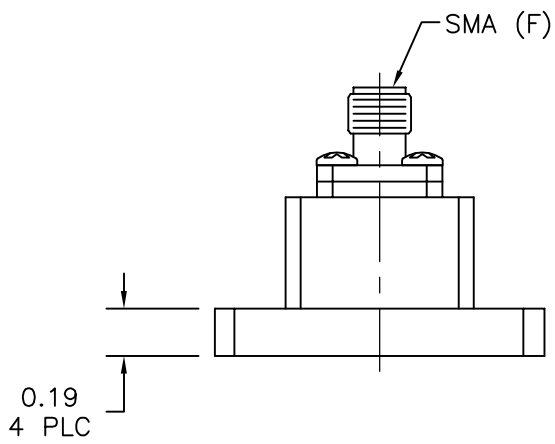
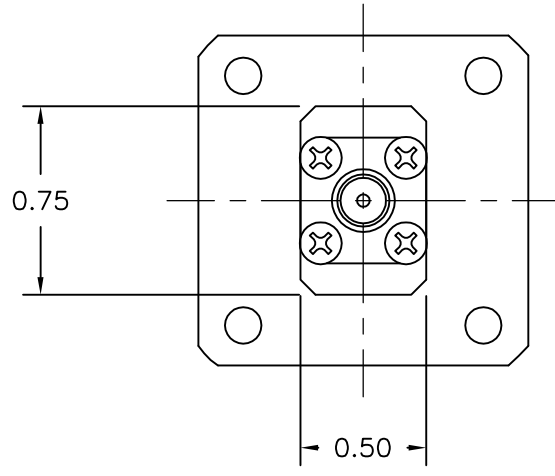


REV A	AUTH M.R.	DATE 03/16/16	INITIAL RELEASE
REV B	AUTH M.R.	DATE 08/25/16	PER E.C.N. 08-25-16-01. UPDATED TO REFLECT DESIGN IMPROVEMENTS



THIRD ANGLE PROJECTION:	APPROVALS	DATE	<b>ADVANCED TECHNICAL MATERIALS, INC.</b> TEL: (631) 289-0363 FAX: (631) 289-0358 www.atmmicrowave.com	THE INFORMATION IN THIS DRAWING IS PROPRIETARY AND SHALL NOT BE USED OR DISCLOSED WITHOUT THE PRIOR WRITTEN CONSENT OF ATM, INC. DO NOT SCALE DWG.		
	DRAWN M.R.	03/16/16				
	CHKD.					
	APRVD.					
UNLESS OTHERWISE NOTED, DIMENSIONS ARE IN INCHES, TOLERANCES ARE:  FRACTIONS: ±1/64 ANGLES: ±1/2°  MACHINED FINISH 63 ✓ OR BETTER	MATERIAL ALUMINUM		<b>OUTLINE</b> WR62 COMPACT ENDLAUNCH ADAPTER - SMA			
DECIMALS 2 PLACE   3 PLACE	TREATMENT CHEM FILM				SIZE A CAGE CODE OR8N4 ATM DWG # 16240 SCALE NONE	REVISION B
±.01   ±.005					MODEL # 62-201ZA-6	SHEET 1/1