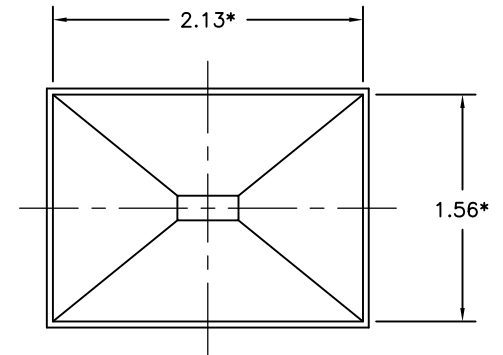
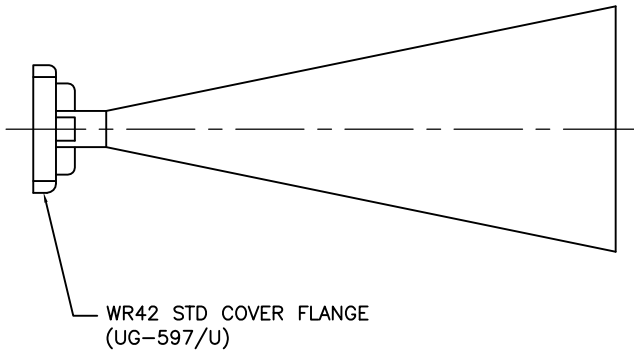
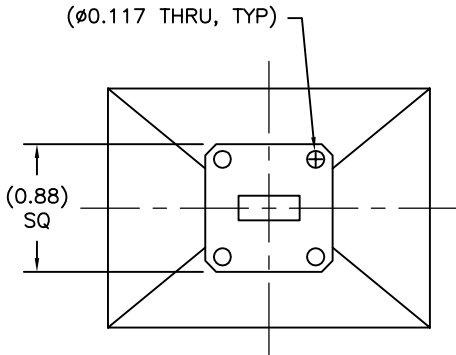
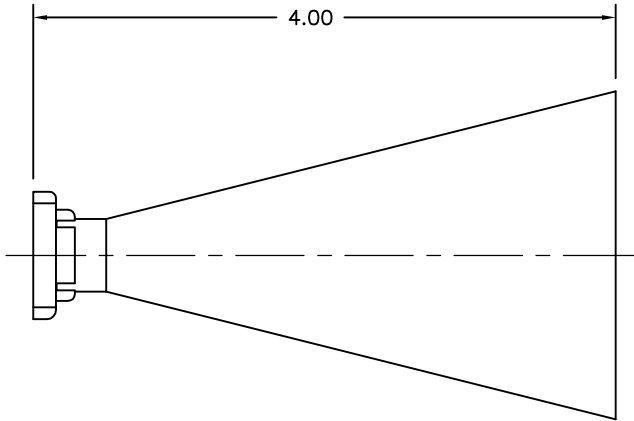


REV A	AUTH D.M.	DATE 07/30/12	INITIAL RELEASE
REV B	AUTH L.M.	DATE 07/14/14	CHANGE TOLERANCE OF 2 PLACE DECIMAL FROM: +/-0.01 TO: +/-0.03
REV C	AUTH M.R.	DATE 12/06/16	NO DIMENSIONAL CHANGES. FORMAT UPDATE
REV D	AUTH DM	DATE 05/04/17	UPDATED TITLE BLOCK



\*INSIDE DIMENSION

**\*NOTE:** THESE DIMENSIONS ARE BASED ON THE FLANGE TYPE SHOWN ABOVE, AND MAY CHANGE WHEN OTHER FLANGE TYPES ARE SELECTED.

THIRD ANGLE PROJECTION:	APPROVALS	DATE	<b>L-3 Narda - ATM</b> TEL: (631) 289-0363 FAX: (631) 289-0358 www.atmmicrowave.com <small>THE INFORMATION IN THIS DRAWING IS PROPRIETARY AND SHALL NOT BE USED OR DISCLOSED WITHOUT THE PRIOR WRITTEN CONSENT OF ATM, INC. DO NOT SCALE DWG.</small>	
	DRAWN DM	05/02/17		
UNLESS OTHERWISE NOTED, DIMENSIONS ARE IN INCHES, TOLERANCES ARE:  FRACTIONS: ±1/64 ANGLES: ±1/2°  MACHINED FINISH 63 ✓ OR BETTER	CHKD.		<b>OUTLINE</b> <b>WR42 HORN, 20dB GAIN</b>	
	APRVD.			
DECIMALS 2 PLACE 3 PLACE	MATERIAL ALUMINUM		SIZE A	REVISION D
±.03 ±.005	TREATMENT -		CAGE CODE OR8N4	ATM DWG # 13960
	FINISH CHEM FILM		SCALE NONE	MODEL # 42-442-6
				SHEET 1/1