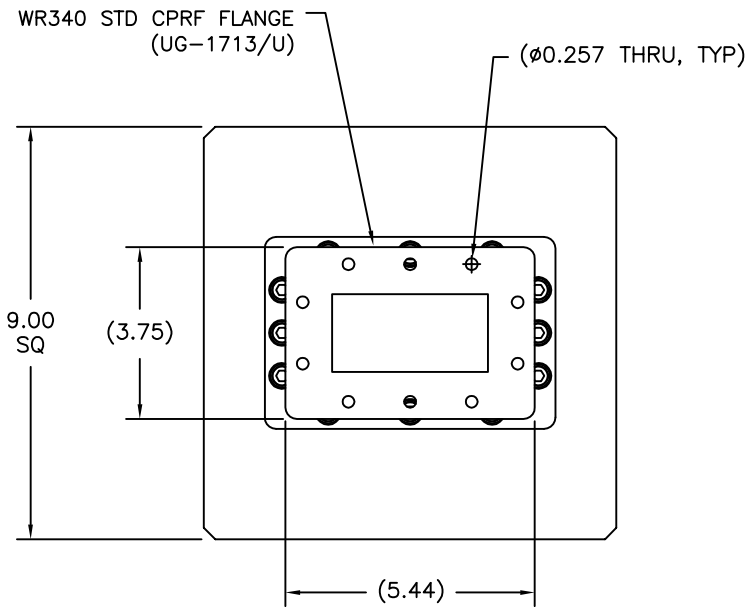
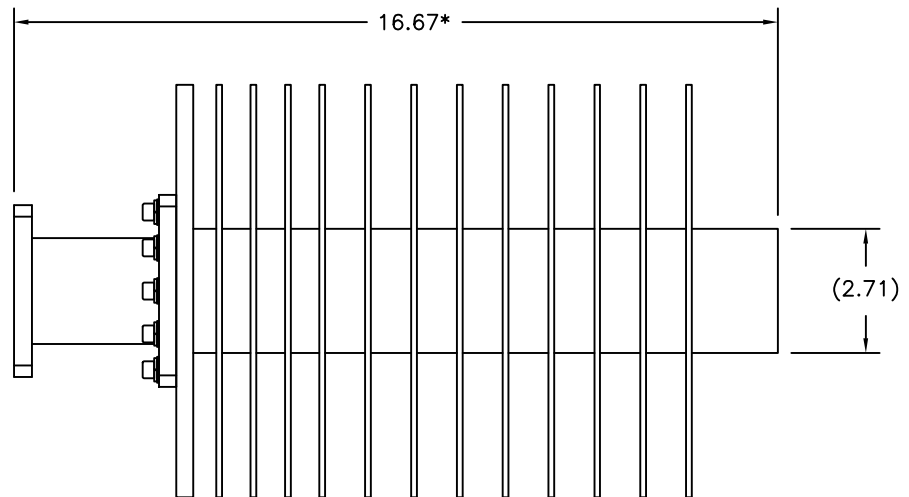
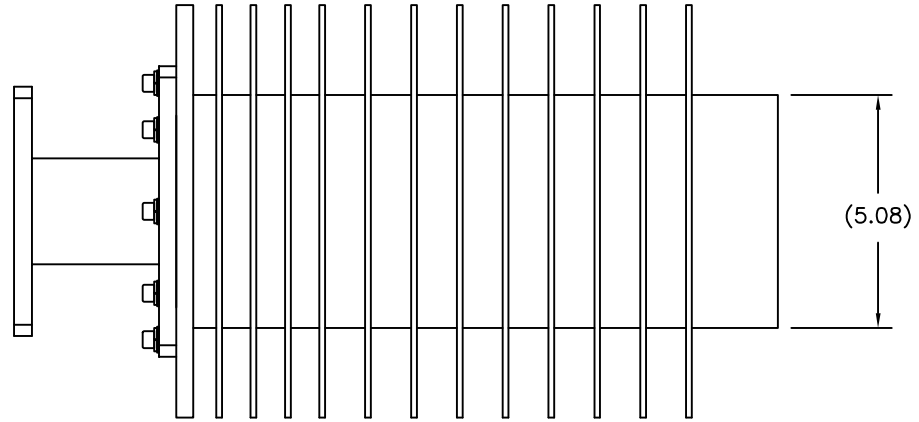


REV A	AUTH DM	DATE 11/01/13	INITIAL RELEASE
B	DM	11/05/13	ADDED OUTSIDE FIN DIMENSION



***NOTE:**

THESE DIMENSIONS ARE BASED ON THE FLANGE TYPE LISTED ON THIS DRAWING, AND MAY CHANGE WHEN OTHER FLANGE TYPES ARE SELECTED.

THIRD ANGLE PROJECTION:		APPROVALS	DATE	ADVANCED TECHNICAL MATERIALS, INC. TEL: (631) 289-0363 FAX: (631) 289-0358 www.atmmicrowave.com		THE INFORMATION IN THIS DRAWING IS PROPRIETARY AND SHALL NOT BE USED OR DISCLOSED WITHOUT THE PRIOR WRITTEN CONSENT OF ATM, INC. DO NOT SCALE DWG.		
UNLESS OTHERWISE NOTED, DIMENSIONS ARE IN INCHES, TOLERANCES ARE: FRACTIONS: ±1/64 ANGLES: ±1/2° MACHINED FINISH 63 ✓ OR BETTER		DRAWN DM	11/01/13	OUTLINE WR340 TERMINATION - 760 SERIES				
		CHKD.						
		APRVD.		SIZE A		CAGE CODE OR8N4	ATM DWG # 15548	REVISION B
		MATERIAL ALUMINUM		SCALE NONE		MODEL # 340-760-2	SHEET 1/1	
DECIMALS 2 PLACE 3 PLACE		TREATMENT CHEM FILM						
±.01 ±.005								