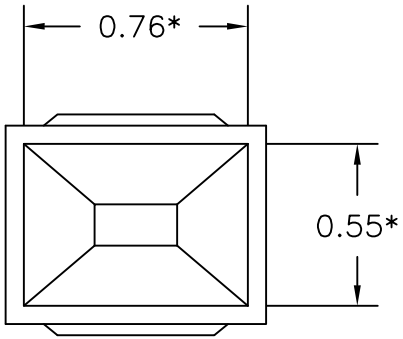
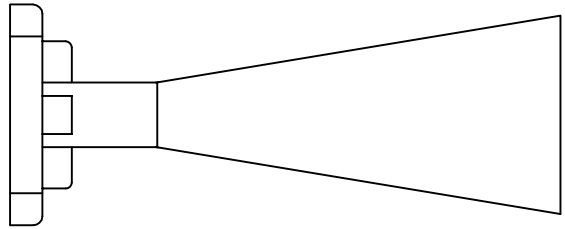
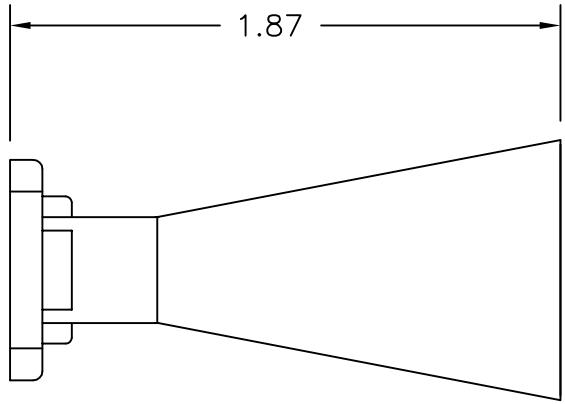
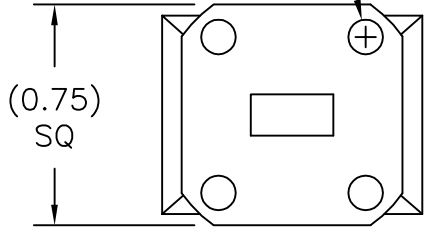


REV A	AUTH DM	DATE 07/11/12	INITIAL RELEASE
B	M.R.	03/20/17	UPDATED FLANGE ILLUSTRATION, NO DIMENSIONAL CHANGES. FORMAT UPDATE
C	DM	05/01/17	NO DIMENSIONAL CHANGES. LOGO UPDATE



*INSIDE DIMENSION

(ϕ 0.118 THRU, TYP)



WR28 STD COVER FLANGE
(UG-599/U)

***NOTE:** THESE DIMENSIONS ARE BASED ON THE FLANGE TYPE SHOWN ABOVE, AND MAY CHANGE WHEN OTHER FLANGE TYPES ARE SELECTED.

THIRD ANGLE PROJECTION:		APPROVALS	DATE	 L-3 Narda - ATM TEL: (631) 289-0363 FAX: (631) 289-0358 www.atmmicrowave.com		<small>THE INFORMATION IN THIS DRAWING IS PROPRIETARY AND SHALL NOT BE USED OR DISCLOSED WITHOUT THE PRIOR WRITTEN CONSENT OF ATM, INC. DO NOT SCALE DWG.</small>	
UNLESS OTHERWISE NOTED, DIMENSIONS ARE IN INCHES. TOLERANCES ARE: FRACTIONS: $\pm 1/64$ ANGLES: $\pm 1/2^\circ$ MACHINED FINISH 63 \checkmark OR BETTER		DRAWN D.M.	05/01/17				
		CHKD.		OUTLINE WR28 HORN, 15dB GAIN			
		APRVD.					
		MATERIAL ALUMINUM		SIZE A	CAGE CODE OR8N4	ATM DWG # 13953	REVISION C
		TREATMENT -		SCALE NONE	MODEL # 28-441-6	SHEET 1/1	
		FINISH CHEM FILM					