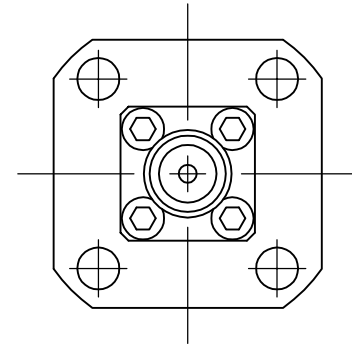
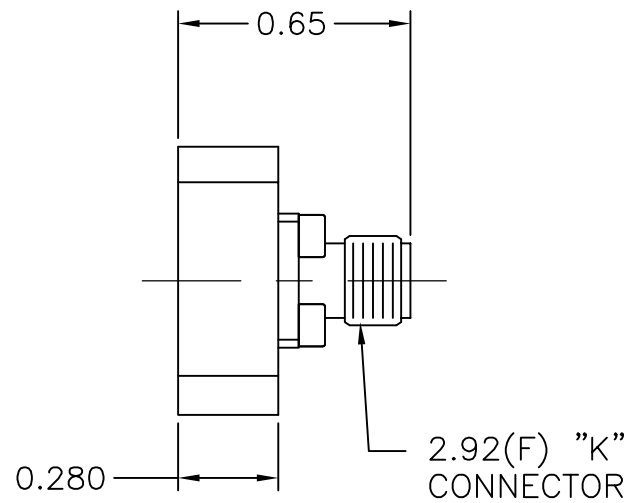
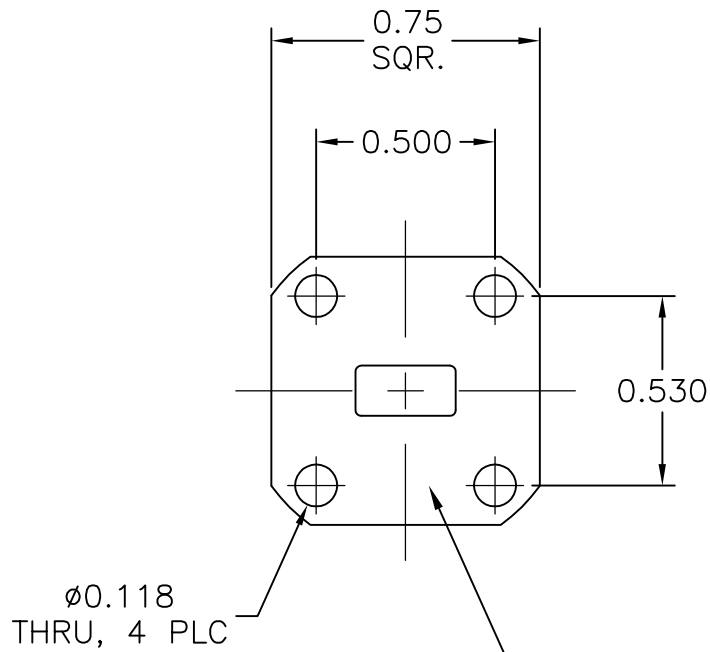


REV A	AUTH L.M.	DATE 08/01/14	INITIAL RELEASE
REV B	AUTH M.R.	DATE 12/16/15	ADDED APPLICATION CHART
REV C	AUTH M.R.	DATE 03/17/16	ADDED FLANGE TYPE.



WR28 STD COVER FLANGE
(UG-599/U)

MODEL#	FREQUENCY RANGE GHz	VSWR
28-20KZA-6	26.5-40.0	1.30 MAX
28ka-20KB-6	27.5-31.0	1.21 MAX
28ka-20KPrB-6	27.5-31.0	1.12 MAX

THIRD ANGLE PROJECTION:		APPROVALS	DATE	ADVANCED TECHNICAL MATERIALS, INC. TEL: (631) 289-0363 FAX: (631) 289-0358 www.atmmicrowave.com		<small>THE INFORMATION IN THIS DRAWING IS PROPRIETARY AND SHALL NOT BE USED OR DISCLOSED WITHOUT THE PRIOR WRITTEN CONSENT OF AT&M, INC. DO NOT SCALE DWG.</small>		
UNLESS OTHERWISE NOTED, DIMENSIONS ARE IN INCHES, TOLERANCES ARE: FRACTIONS: ±1/64 ANGLES: ±1/2° MACHINED FINISH 63 ✓ OR BETTER		DRAWN L.M.	08/01/14					
		CHKD.						
		APRVD.						
DECIMALS 2 PLACE 3 PLACE		MATERIAL PER ORDER		SIZE A		CAGE CODE OR8N4	ATM DWG # 16234	REVISION C
		TREATMENT CHEM FILM		SCALE 1 : 1		MODEL # SEE TABLE		SHEET 1/1
±.01 ±.005		ATM STD GRAY						