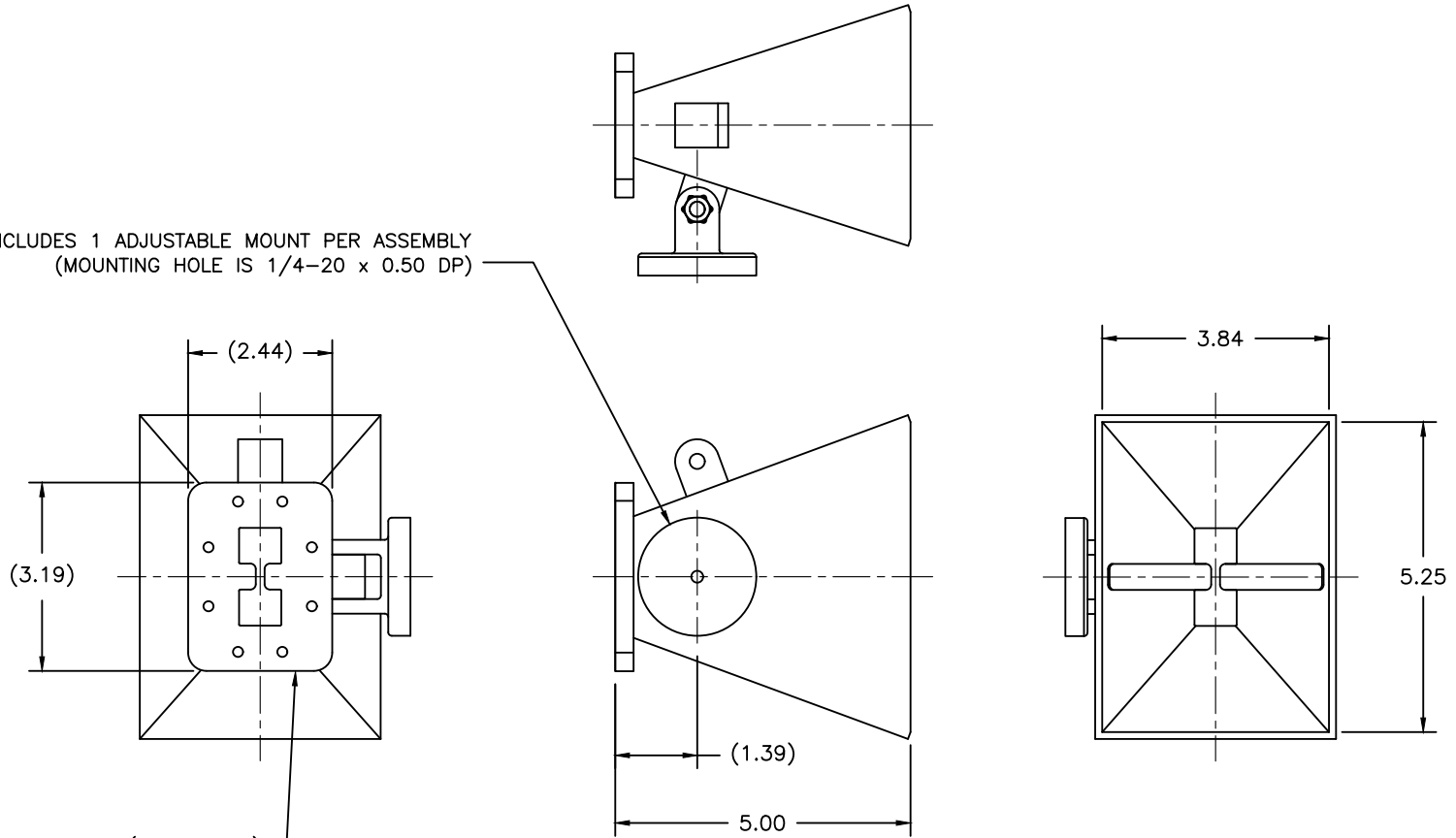


REV A	AUTH DM	DATE 07/25/12	INITIAL RELEASE
----------	------------	------------------	-----------------

INCLUDES 1 ADJUSTABLE MOUNT PER ASSEMBLY  
(MOUNTING HOLE IS 1/4-20 x 0.50 DP)



WRD250 FLANGE (PER ORDER)  
(FLAT w/ ALL THRU HOLES SHOWN)

**MODEL SPECIFICATIONS**

MODEL: 250-441-XX  
 FREQ.: 2.5-7.5 GHz  
 GAIN: 15 dB  
 VSWR: 1.6

THIRD ANGLE PROJECTION:		APPROVALS	DATE		ADVANCED TECHNICAL MATERIALS, INC.		THE INFORMATION IN THIS DRAWING IS PROPRIETARY AND SHALL NOT BE USED OR DISCLOSED WITHOUT THE PRIOR WRITTEN CONSENT OF ATM, INC. DO NOT SCALE DWG.
UNLESS OTHERWISE NOTED, DIMENSIONS ARE IN INCHES. TOLERANCES ARE: FRACTIONS: ±1/64 ANGLES: ±1/2° MACHINED FINISH 63 ✓ OR BETTER		DRAWN DM	07/25/12		TEL: (631) 289-0363 FAX: (631) 289-0358 www.atmmicrowave.com		
DECIMALS 2 PLACE 3 PLACE		CHKD.		OUTLINE WRD250 HORN - 15dB			REVISION A
±.01 ±.005		APRVD.					
		MATERIAL ALUMINUM		SIZE A	CAGE CODE OR8N4	ATM DWG # 14208	
		TREATMENT CHEM FILM		SCALE NONE	MODEL # 250-441-XX		SHEET 1/1
		FINISH ATM STD GRAY					