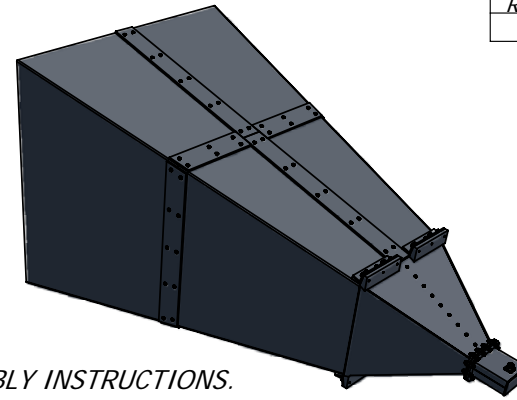


MECHANICAL DATA:
CONSTRUCTION: ALUMINUM ALLOY
APERATURE: 35.5 X 35.5

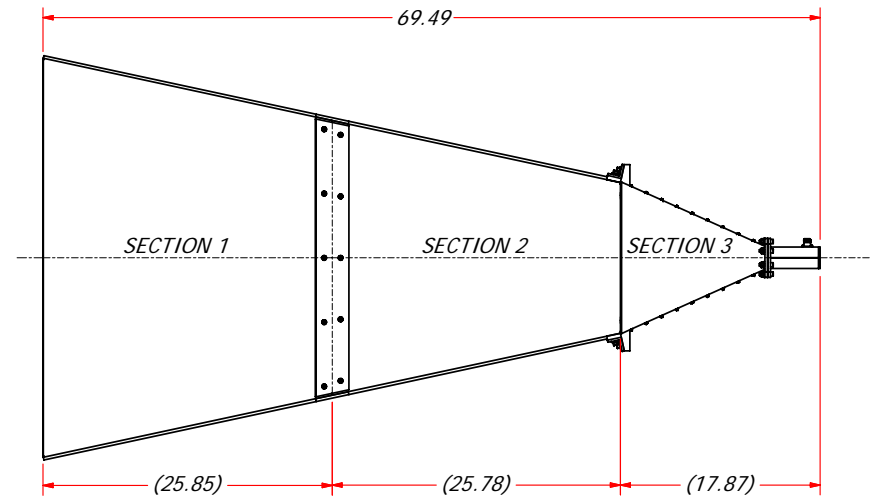
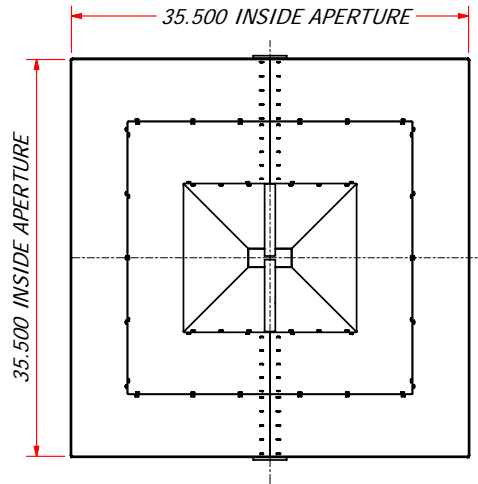
ELECTRICAL DATA:
FREQUENCY: 1.0-2.5 GHz
CONNECTOR: TYPE N FEMALE
GAIN: 17-20 dB
VSWR: 1.6

NOTE:
 UNIT WILL BE SHIPPED IN THREE SECTIONS.
 CUSTOMER TO ASSEMBLE USING SUPPLIED ACCESSORIES AND ASSEMBLY INSTRUCTIONS.

REVISION HISTORY			
REV	AUTH	DATE	DESCRIPTION
A	BF	10/7/2009	INITIAL RELEASE



ASSEMBLED VIEW



MODEL USED ON	QTY	NEXT ASSY	THIRD ANGLE PROJECTION	APPROVALS	DATE	ATM ADVANCED TECHNICAL MATERIALS, INC. THE INFORMATION IN THIS DRAWING IS PROPRIETARY AND SHALL NOT BE USED OR DISCLOSED WITHOUT THE WRITTEN CONSENT OF ATM, INC. DO NOT SCALE DWG.	
			UNLESS OTHERWISE NOTED, DIMENSIONS ARE IN INCHES. TOLERANCES ARE: FRACTIONS: ±1/64 ANGLES: ±12°	DRAWN BF	10-7-09	OUTLINE, WR150-442 HORN ANTENNA	
				CHKD:			SIZE B
			BASIC DIMENSION UNDER 6" ±.02 6" - 12" ±.03 OVER 12" ±.06	APRVD:		ATM DWG # 11703	REVISION A
			DECIMALS 2 PLACE ±.005 3 PLACE ±.010 ±.015	MATERIAL		MODEL # 150-442EM-NF	SHEET 1 OF 1
			TREATMENT IRIDITE	FINISH ATM STD GRAY			