

MODEL SPECIFICATIONS:

MECHANICAL:

MATERIAL: TYPE 6061-T6 ALUMINUM ALLOY.

**FINISH: UNIQUE CORROSION RESISTANT
316 STAINLESS STEEL EPOXY COATING**

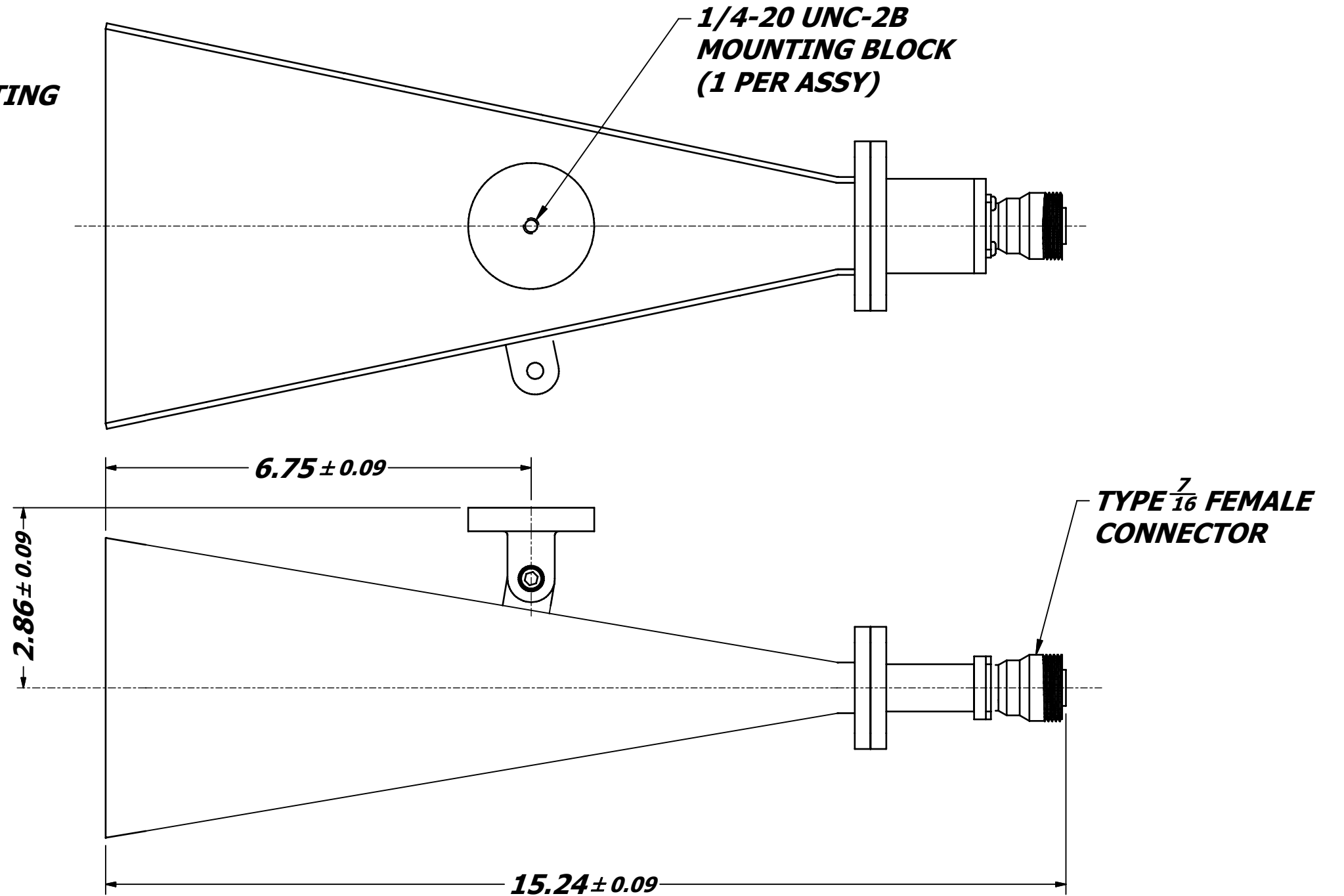
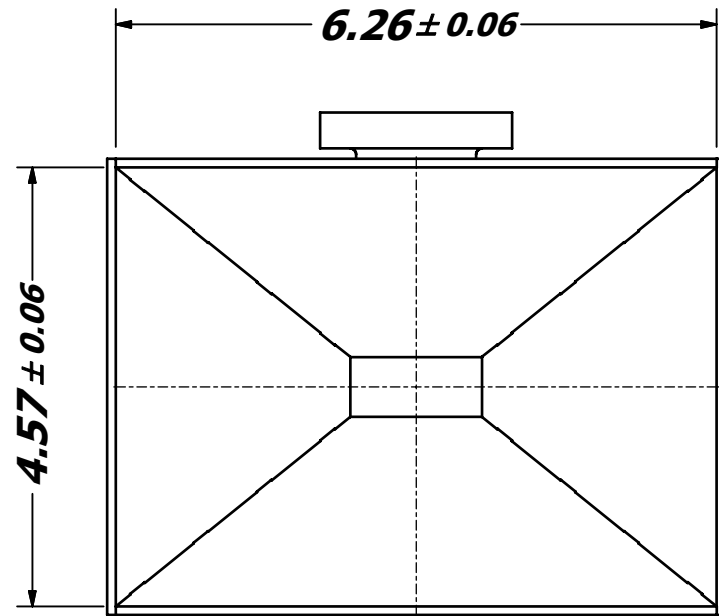
ELECTRICAL:

FREQUENCY RANGE: 6.0-8.0 GHz


GAIN: 20dB

VSWR: 1.6 MAX

RF POWER: 1200 WATTS



REVISION HISTORY			
REV	AUTH	DATE	DESCRIPTION
A	BF	5-25-11	INITIAL RELEASE

MODEL NO	QTY	NEXT ASSY	THIRD ANGLE PROJECTION:	APPROVALS	DATE	 ADVANCED TECHNICAL MATERIALS, INC. TEL: (631) 289-0363 FAX: (631) 289-0358 www.atmmicrowave.com				THE INFORMATION IN THIS DRAWING IS PROPRIETARY AND SHALL NOT BE USED OR DISCLOSED WITHOUT THE PRIOR WRITTEN CONSENT OF ATM, INC. DO NOT SCALE DWG.			
			UNLESS OTHERWISE NOTED, DIMENSIONS ARE IN INCHES. TOLERANCES ARE: FRACTIONS: ±1/64 ANGLES: ±1/2°	DRAWN BF	5-25-11	OUTLINE, 6.0-8.0 GHz HORN ANTENNA, W/ 7/16 ENDLAUNCH				SIZE B	CAGE CODE 0R8N4	ATM DWG # 13166	REVISION A
				DECIMALS 2 PLACE 3 PLACE ±.01 ±.005	CHKD.						MODEL # 6-8-442EM-7/16	SHEET 1 OF 1	
			MACHINED FINISH 63 ✓ OR BETTER	APRVD.									
				MATERIAL									
				TREATMENT									
				FINISH									