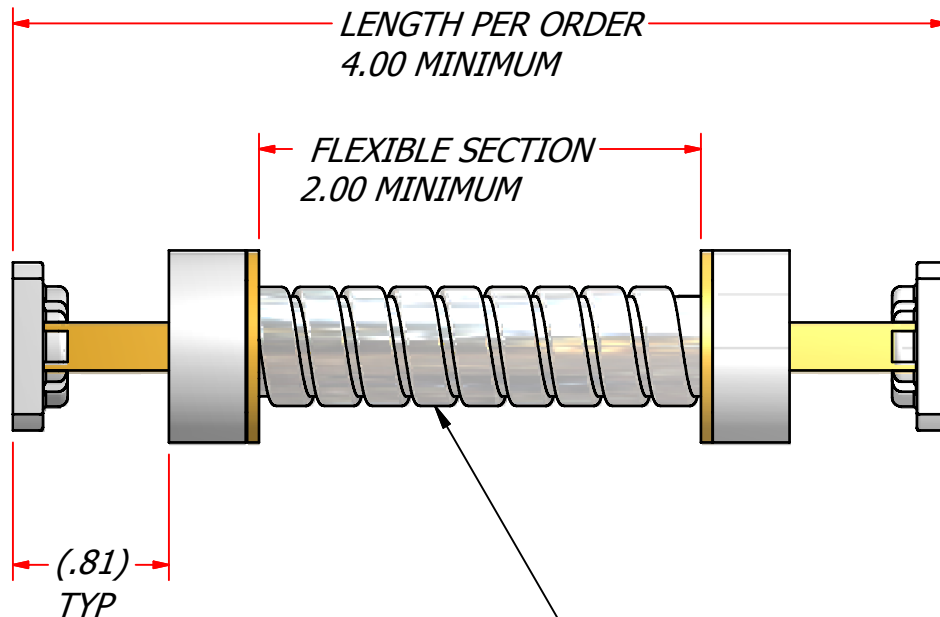


2

1

REVISION HISTORY			
REV	AUTH	DATE	DESCRIPTION
A	BF	3/1/2010	INITIAL RELEASE



FLEXIBLE WAVEGUIDE SECTION
PROTECTED W/ STAINLESS STEEL ARMOR
(NOT PAINTED)

MODEL SPECIFICATIONS

MECHANICAL

MODEL NUMBER: 34-126-X-X-X

MATERIAL:

WAVEGUIDE/ FLANGES: BRASS/ COPPER

ARMORED SECTION: STAINLESS STEEL

FINISH:

WAVEGUIDE SECTIONS: UNIQUE CORROSION RESISTANT
316 STAINLESS STEEL EPOXY COATING

ARMORED SECTION:

NO PAINT

FLANGES:

PER ORDER, COVER TYPE STANDARD

MODEL NO	QTY	NEXT ASSY	THIRD ANGLE PROJECTION:	APPROVALS	DATE	ADVANCED TECHNICAL MATERIALS, INC. TEL: (631) 289-0363 FAX: (631) 289-0358 www.atmmicrowave.com	<small>THE INFORMATION IN THIS DRAWING IS PROPRIETARY AND SHALL NOT BE USED OR DISCLOSED WITHOUT THE PRIOR WRITTEN CONSENT OF ATM, INC. DO NOT SCALE DWG.</small>					
			UNLESS OTHERWISE NOTED, DIMENSIONS ARE IN INCHES, TOLERANCES ARE: FRACTIONS: ±1/64 ANGLES: ±1/2° DECIMALS 2 PLACE 3 PLACE ±.01 ±.005	DRAWN BF	3-1-10		OUTLINE, WR34 FLEX WG WITH ARMORED SECTION					
				CHKD.		SIZE A				CAGE CODE 0R8N4	ATM DWG # 12055	REVISION A
				APRVD.		MODEL # 34-126-X-X-X						SHEET 1 OF 1
				MATERIAL PER ORDER								
				TREATMENT CHEM FILM								
				FINISH SEE NOTES								

2

1