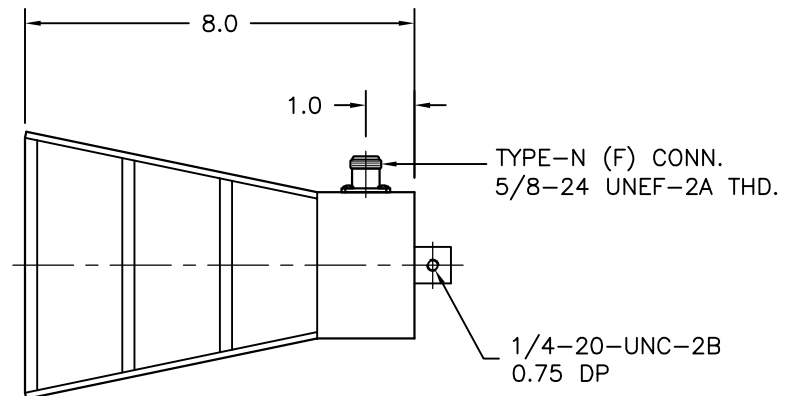
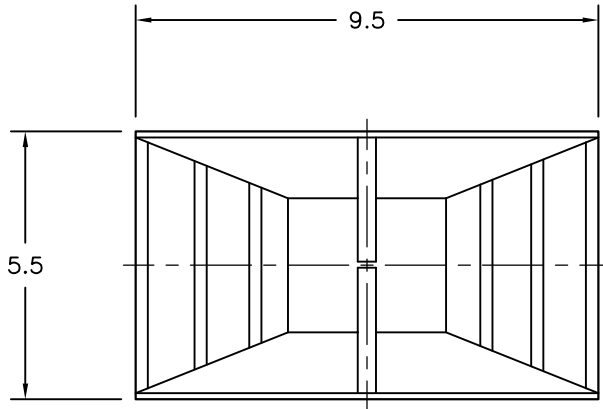
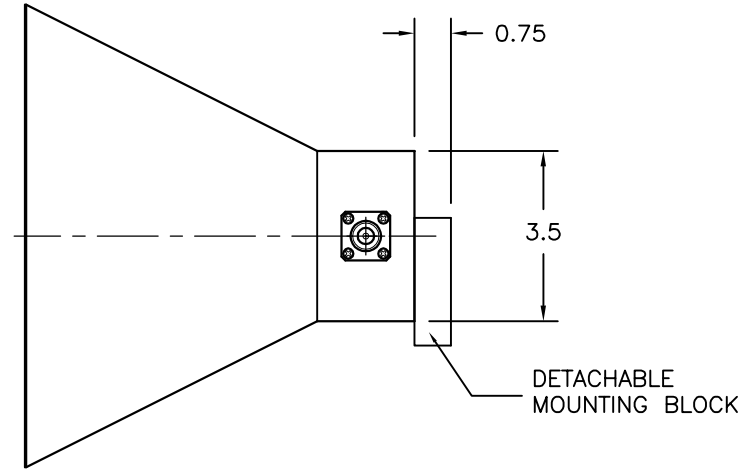


REV -	AUTH R.L.	DATE 02/17/07	INITIAL RELEASE
REV A	AUTH M.R.	DATE 03/30/08	MOUNTING BRACKET UPDATED, CHANGED FROM "L" BRACKET TO POST.



MODEL SPECIFICATIONS

MECHANICAL

MODEL NUMBER(S): 07-18-440-NF
 MATERIAL: ALUM.
 BODY: STAINLESS STEEL
 CONNECTORS: 3.5 LBS.
 WEIGHT:

ELECTRICAL

FREQ. RANGE: 0.7 - 18.0 GHz
 POWER: 300 WATTS
 IMPEDANCE: 50 OHMS
 VSWR: 1.6 AVG.

THIRD ANGLE PROJECTION:		APPROVALS	DATE	ADVANCED TECHNICAL MATERIALS, INC. TEL: (631) 289-0363 FAX: (631) 289-0358 www.atmmicrowave.com		<small>THE INFORMATION IN THIS DRAWING IS PROPRIETARY AND SHALL NOT BE USED OR DISCLOSED WITHOUT THE PRIOR WRITTEN CONSENT OF ATM, INC. DO NOT SCALE DWG.</small>	
UNLESS OTHERWISE NOTED, DIMENSIONS ARE IN INCHES, TOLERANCES ARE: FRACTIONS: ±1/64 ANGLES: ±1/2° MACHINED FINISH 63 ✓ OR BETTER		DRAWN R.L.	02/17/07				
DECIMALS 2 PLACE 3 PLACE		CHKD.		OUTLINE, HORN ANTENNA BROADBAND			
±.01 ±.005		APRVD.					
		MATERIAL -		SIZE A	CAGE CODE OR8N4	ATM DWG # 8042	REVISION A
		TREATMENT -		SCALE 1 : 1	MODEL # SEE NOTES		SHEET 1/1
		FINISH -					