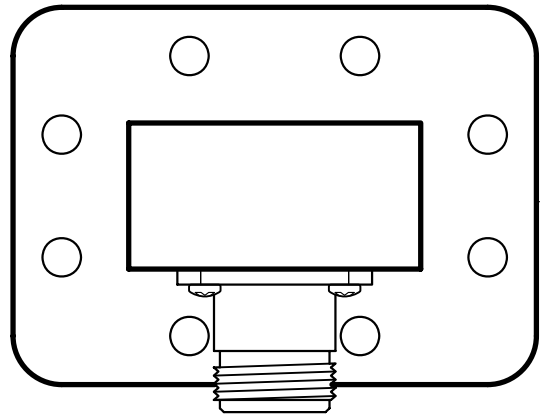
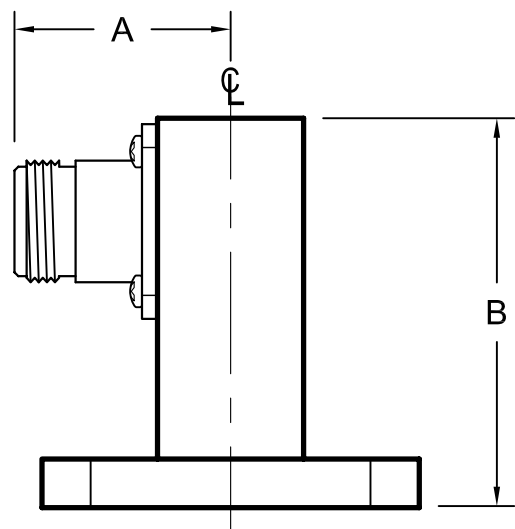
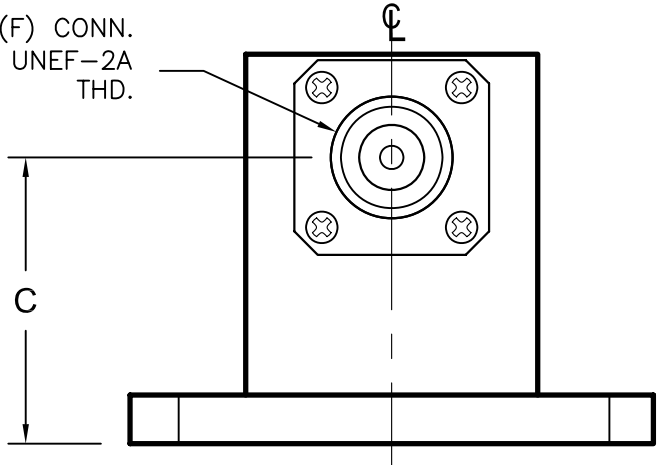


REV A	AUTH RL	DATE 7/17/02	INITIAL RELEASE
REV B	AUTH JLE	DATE 1/13/03	WR102 DIM 'C' 1.14 WAS: 1.15; DIM 'B' IS: .164, WAS: .165
REV C	AUTH RL	DATE 6/11/03	ADDED WR650 TABLE DIMENSIONS
REV D	AUTH RL	DATE 09/09/05	REVISED TABLE DIMS FOR WR62, WR75, WR90
REV E	AUTH RL	DATE 04/03/06	DIMS REVISED PER ECN 04-03-06-01
REV F	AUTH M.R.	DATE 3/24/08	WR112 DIMS UPDATED TO REFLECT MACH'D BODY
REV G	AUTH BF	DATE 3/31/09	ADDED WR 975 WG SIZE IN CHART



TYPE-N (F) CONN.
5/8-24 UNEF-2A THD.



WG SIZE	DIMENSION (INCHES)		
	A	B	C
WR62	1.08	1.00	0.65
WR75	1.09	1.00	0.63
WR90	1.10	1.00	0.63
WR102	1.18	1.64	1.14
WR112	1.15	1.14	0.68
WR137	1.11	2.00	1.47
WR159	1.20	2.33	1.70
WR187	1.24	2.60	1.90
WR229	1.37	2.25	1.35
WR284	1.49	2.50	1.51
WR340	1.67	3.50	2.29
WR430	1.89	4.00	2.30
WR650	2.44	5.00	2.40
WR975	3.30	8.00	4.00

THIRD ANGLE PROJECTION:		APPROVALS	DATE		ADVANCED TECHNICAL MATERIALS, INC. TEL: (631) 289-0363 FAX: (631) 289-0358 www.atmmicrowave.com		THE INFORMATION IN THIS DRAWING IS PROPRIETARY AND SHALL NOT BE USED OR DISCLOSED WITHOUT THE PRIOR WRITTEN CONSENT OF ATM, INC. DO NOT SCALE DWG.
UNLESS OTHERWISE NOTED, DIMENSIONS ARE IN INCHES, TOLERANCES ARE: FRACTIONS: ±1/64 ANGLES: ±1/2°		DRAWN RL	04/03/06		OUTLINE, W/G-COAX ADAPTER TYPE-N		
		CHKD.		SIZE A			CAGE CODE OR8N4
BASIC DIMENSION	DECIMALS 2 PLACE	DECIMALS 3 PLACE	APRVD.	SCALE	NONE	MODEL # XXX-253X-XX	SHEET 1/1
UNDER 6"	±.02	±.005	MATERIAL PER ORDER				
6" - 12"	±.03	±.010	TREATMENT -				
OVER 12"	±.06	±.015	FINISH ATM GRAY				