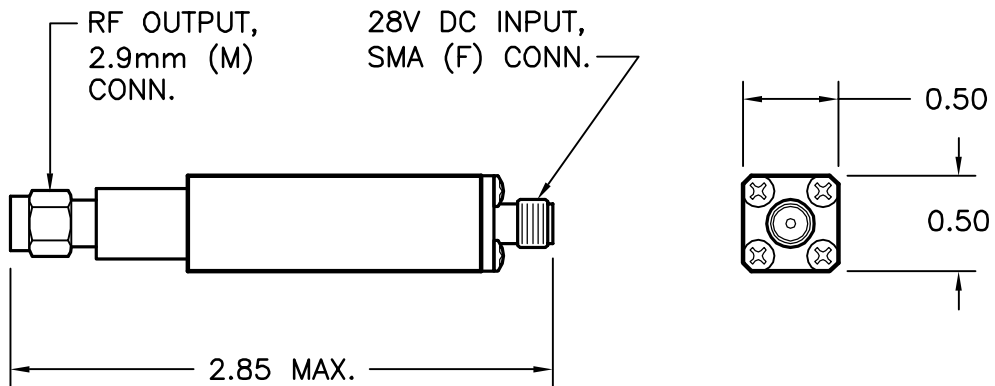



"T" TYPE
(15dB OUTPUT)



"V" TYPE
(32dB OUTPUT)

MATERIAL -	TREATMENT -	DRAWN R. LYNCH	DATE 11/15/05		
FINISH ATM STD. GRAY	MOD NO. SEE ILLUSTR.	CHECKED	DATE		
OUTLINE, HIGH-FREQ. MICROWAVE NOISE SOURCE		APPROVED	DATE		
		<small>ADVANCED TECHNICAL MATERIALS, INC. 49 RIDER AVE., PATCHOGUE N.Y. 11772 TEL: (631) 289-0386 FAX: (631) 289-0358 http://www.atmmicrowave.com</small>			
<small>UNLESS OTHERWISE NOTED DIMENSIONS ARE IN INCHES</small>		<small>FRACTIONS ±1/64</small>	<small>DECIMALS ±.01</small>	<small>ANGLES ±1/2°</small>	<small>SHEET. 1/1</small>
		<small>PROPRIETARY NOTICE: THE INFORMATION IN THIS DRAWING IS PROPRIETARY AND SHALL NOT BE USED OR DISCLOSED WITHOUT THE PRIOR WRITTEN CONSENT OF ATM, INC.</small>	<small>SCALE 1 : 1</small>	<small>DWG. NO. 7468W</small>	<small>REV. -</small>