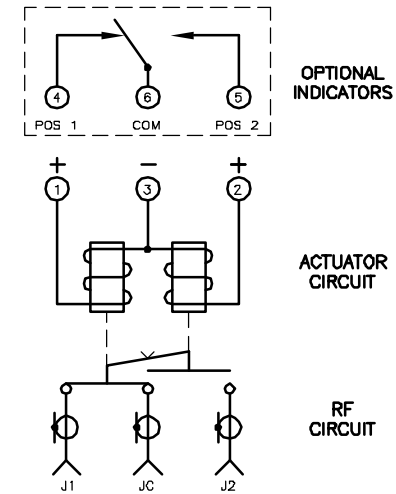
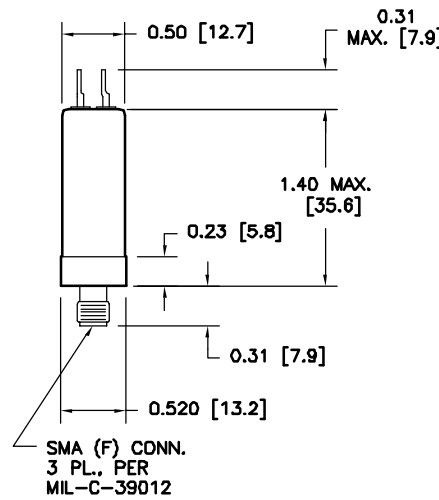


MECHANICAL



ELECTRICAL

PERFORMANCE SPECS.

MODEL: S2810H/L/C  
 ACTUATING VOLTAGE: 24-32 VDC (28 VDC NOMINAL)  
 ACTUATING CURRENT: 160 mA MAX AT 28 VDC AND 72° F  
 IMPEDANCE: 50 OHMS  
 SWITCHING TIME: 15 mS MAX  
 OPERATING MODE: LATCHING  
 OPERATING TEMP: -35 °C TO +85 °C

MATERIAL	TREATMENT	DRAWN	R. LYNCH	DATE	4/26/04
FINISH	MOD NO.	CHECKED		DATE	
<p align="center"><b>OUTLINE, S2810H/L/C ELECTROMECHANICAL RF SWITCH, SPDT, LATCHING</b></p>		APPROVED		DATE	
		CAGE CODE: ORBN4		DO NOT SCALE DWG	
ADVANCED TECHNICAL MATERIALS, INC. 49 RIDER AVE., PATCHOGUE N.Y. 11772 TEL: (631) 289-0363 FAX: (631) 289-0358 http://www.atmmicrowave.com		UNLESS OTHERWISE NOTED DIMENSIONS ARE IN INCHES TOLERANCES ARE:	FRACTIONS ±1/64	DECIMALS ±.01	ANGLES ±1/2°
PROPRIETARY NOTICE: THE INFORMATION IN THIS DRAWING IS PROPRIETARY AND SHALL NOT BE USED OR DISCLOSED WITHOUT THE PRIOR WRITTEN CONSENT OF ATM, INC.		SCALE	DWG. NO.	SHEET.	
		NO SCALE	3946	1/1	REV. -